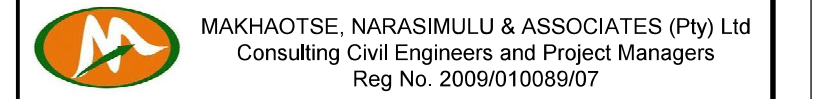


SEWER NOTES:

1. ALL WORK TO BE CARRIED OUT IN ACCORDANCE WITH SABS 1200 SERIES AND THE PROJECT SPECIFICATIONS.
2. ALL DIMENSIONS TO BE CHECKED ON SITE PRIOR TO CONSTRUCTION. ANY DISCREPANCIES TO BE REPORTED TO THE ENGINEER.
3. THE CONTRACTOR IS TO CONFIRM ALL LEVELS AND SETTING OUT INFORMATION PRIOR TO CONSTRUCTION.
4. EXISTING SERVICES TO BE PROVED PRIOR TO CONSTRUCTION.
5. SURVEY AND DESIGN INFORMATION IS BASED ON THE WGS 84 CO-ORDINATE SYSTEM.
6. FOR GRADES LESS THAN 1:10 - ANCHOR BLOCKS TO BE USED (REFER TO STANDARD DETAILS)
7. ALL MANHOLES TO HAVE MEDIUM DUTY (MD) POLYMER COVERS WITH LOCKING MECHANISM UNLESS OTHERWISE SPECIFIED.
8. ALL PIPES TO BE 160mmØ uPVC CL34 UNLESS OTHERWISE SPECIFIED.
9. ALL PIPES TO BE LAID ON FLEXIBLE PIPE BEDDING UNLESS OTHERWISE SPECIFIED.
10. ALL BACKFILL TO BE COMPACTED TO 93% Mod AASHTO UNLESS OTHERWISE SPECIFIED.
11. ALL MANHOLE COVERS WITHIN ROADWAYS ARE TO BE HEAVY DUTY
12. MANHOLE COVER LEVELS TO BE 150mm ABOVE GROUND IN OPEN SPACES AND FLUSH ON ROADWAYS AND SIDEWALKS

SEWER SETTING OUT DATA		
MANHOLE	Y	X
U7-MH4	10369.998	3114076.260
U7-MH7	10302.616	3114074.904
U7-MH8	10294.504	3114052.673
U7-MH9	10277.233	3114007.946
U7-TIE-IN-2	10263.058	3113970.726
U7-MH8.1	10323.807	3114042.176
U7-MH8	10294.504	3114052.673
U7-MH9.1	10312.201	3113995.336
U7-MH9	10277.233	3114007.946



84 Cleland Road P.O. Box 28580
 Hayfields Haymarket
 Pietermaritzburg 3201 Pietermaritzburg 3200
 Tel (033) 346 2835 e-mail: pmb@mna-sa.co.za
 Fax (033) 346 2328

TENDER DRAWING

DATE : _____

SIGNED BY : _____
 CONSULTING ENGINEER

A	31-03-21	TENDER DRAWING	AG	SD
REV	DATE	DESCRIPTION	BY	CHK

DRG. NO. REFERENCE DRAWINGS

CLIENT LOGO

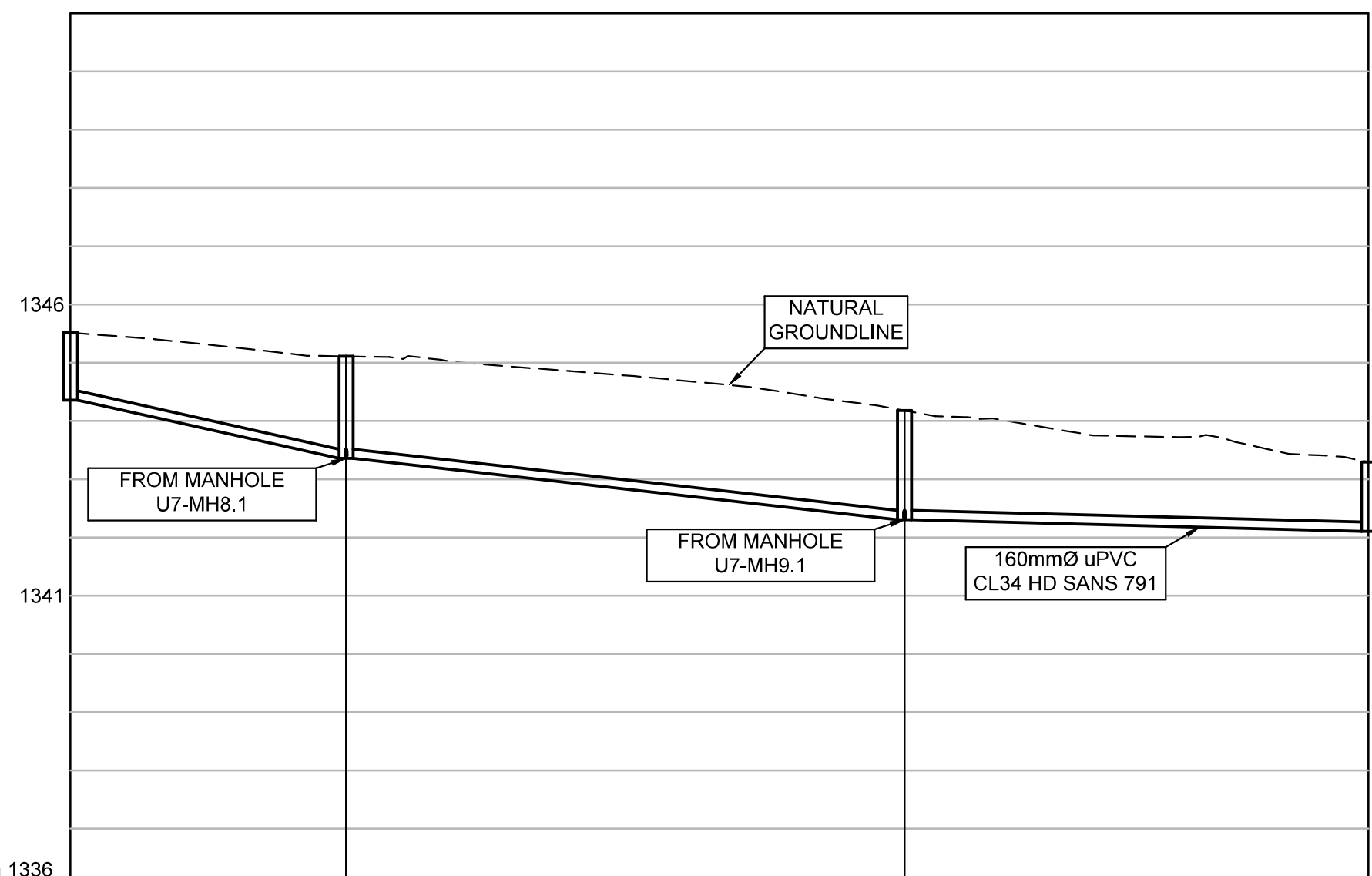


CLIENT NAME **HOUSING DEVELOPMENT AGENCY**

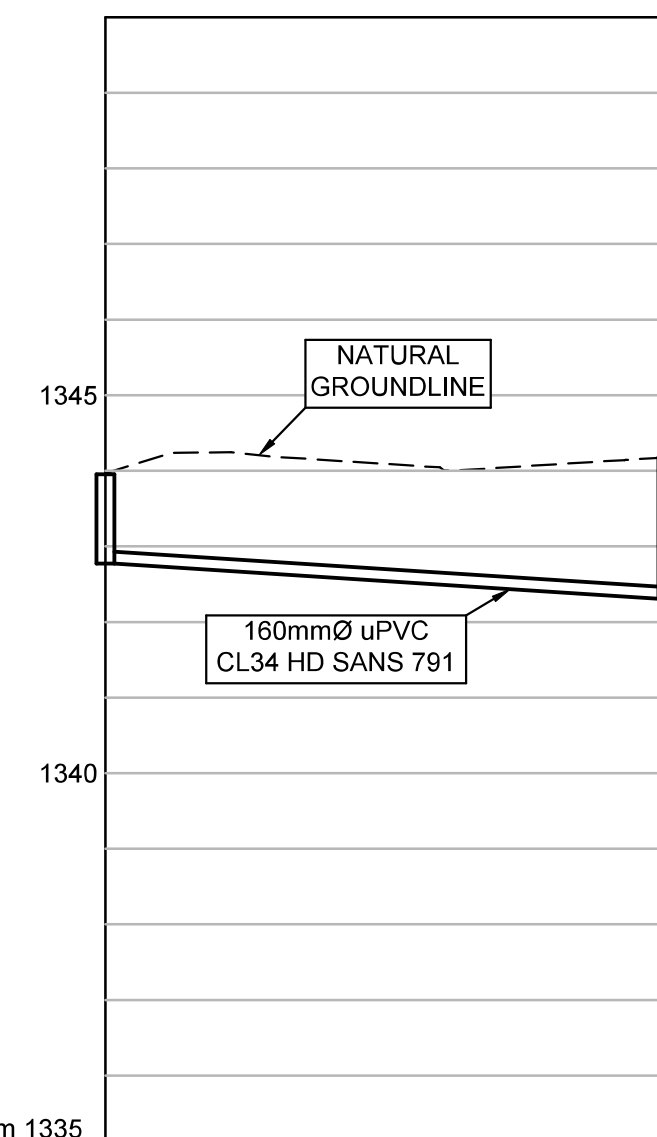
PROJECT TITLE
INSTALLATION OF INTERNAL WATER AND SEWER NETWORK FOR UNIT 3 AND 7 MELODING, VIRGINIA

DRAWING TITLE
UNIT 7 LONG SECTIONS U7-MH7 TO U7-TIE-IN-2 U7-MH9.1 TO U7-MH9 U7-MH8.1 TO U7-MH8

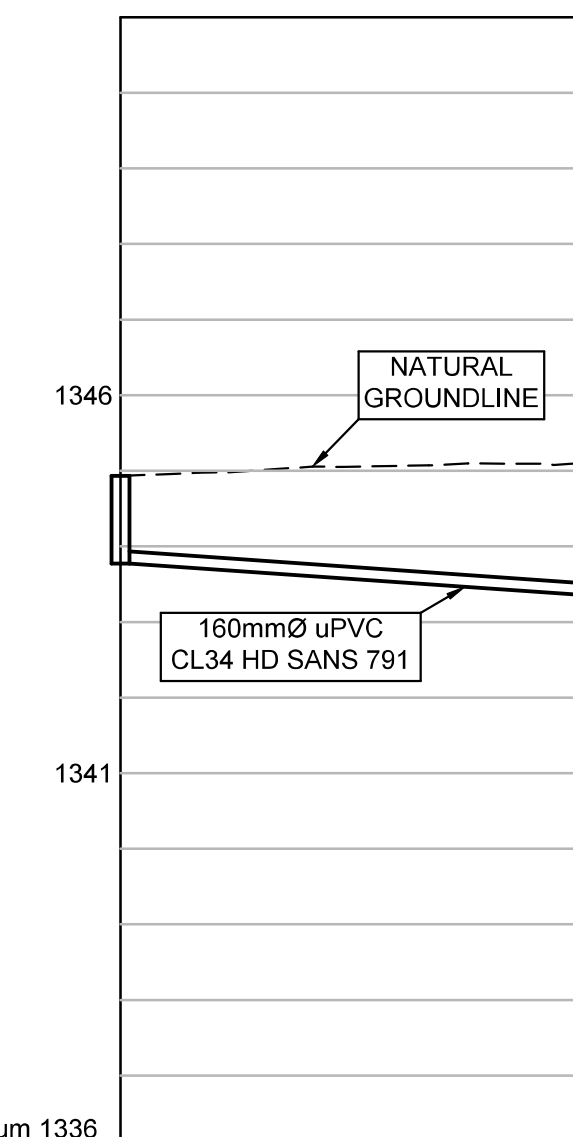
	RESPONSIBLE PERSON	DATE
DESIGNED	A. GANASS	25-02-2021
CHECKED	S. DELOMONEY	25-02-2021
DRAWN	A. GANASS	25-02-2021
CHECKED	S. DELOMONEY	25-02-2021
SCALES	H=500 & V=100	SHEET SIZE A1
DRAWING NO.	WP2319-MNA-FT-SA-204	REVISION A



MANHOLE NO:	U7-MH7	U7-MH8	U7-MH9	U7-TIE-IN-2
COVER LEVEL:	1345.62	1345.11	1344.18	1343.28
INVERT LEVEL:	1344.36	1343.36	1342.31	1342.11
DEPTH:	1.16	1.75	1.87	1.19
PIPE LENGTH & GRADE:	23.69 m 1:24	47.96 m 1:46	39.83 m 1:197	
PIPE DETAILS:	uPVC CL34 HD SANS 791 160 mm			
MANHOLE U7-MH7 TO U7-TIE-IN-2				



MANHOLE NO:	U7-MH9.1	U7-MH9
COVER LEVEL:	1343.95	1344.18
INVERT LEVEL:	1342.77	1342.31
DEPTH:	1.18	1.87
PIPE LENGTH & GRADE:	37.18 m 1:80	
PIPE DETAILS:	uPVC CL34 HD SANS 791 160 mm	
MANHOLE U7-MH9.1 TO U7-MH9		



MANHOLE NO:	U7-MH8.1	U7-MH8
COVER LEVEL:	1344.93	1345.11
INVERT LEVEL:	1343.78	1343.36
DEPTH:	1.16	1.75
PIPE LENGTH & GRADE:	31.13 m 1:75	
PIPE DETAILS:	uPVC CL34 HD SANS 791 160 mm	
MANHOLE U7-MH8.1 TO U7-MH8		