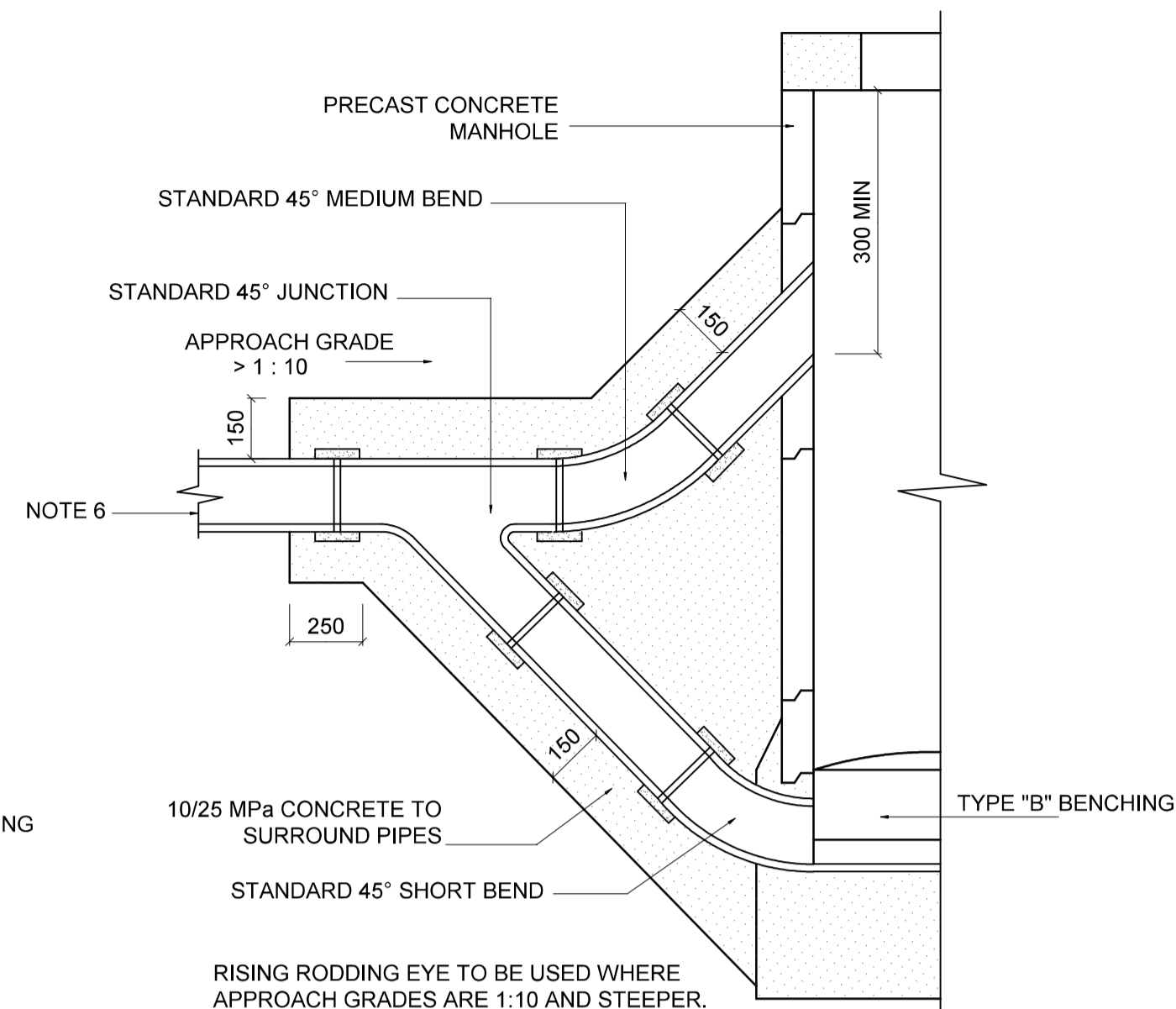
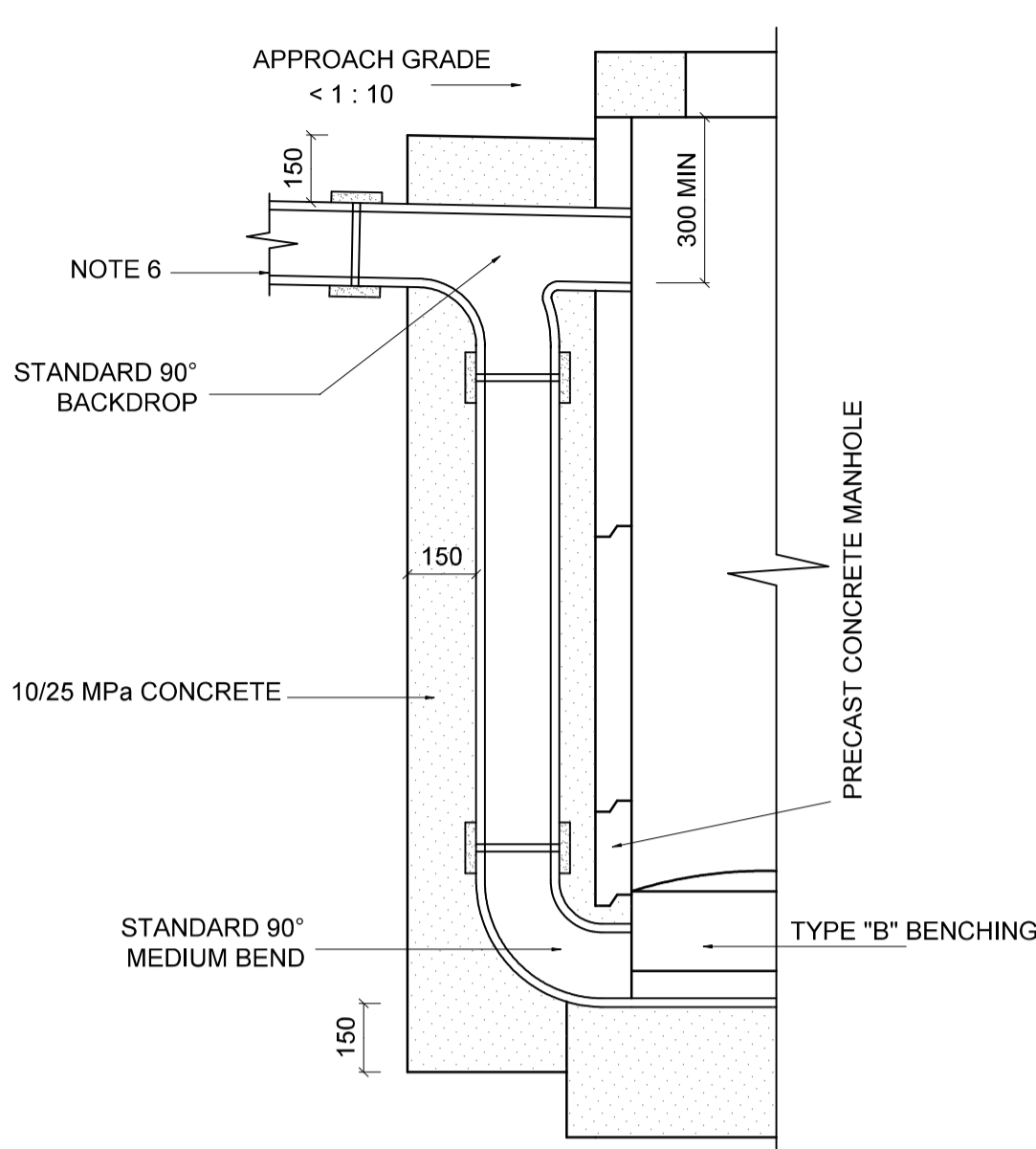


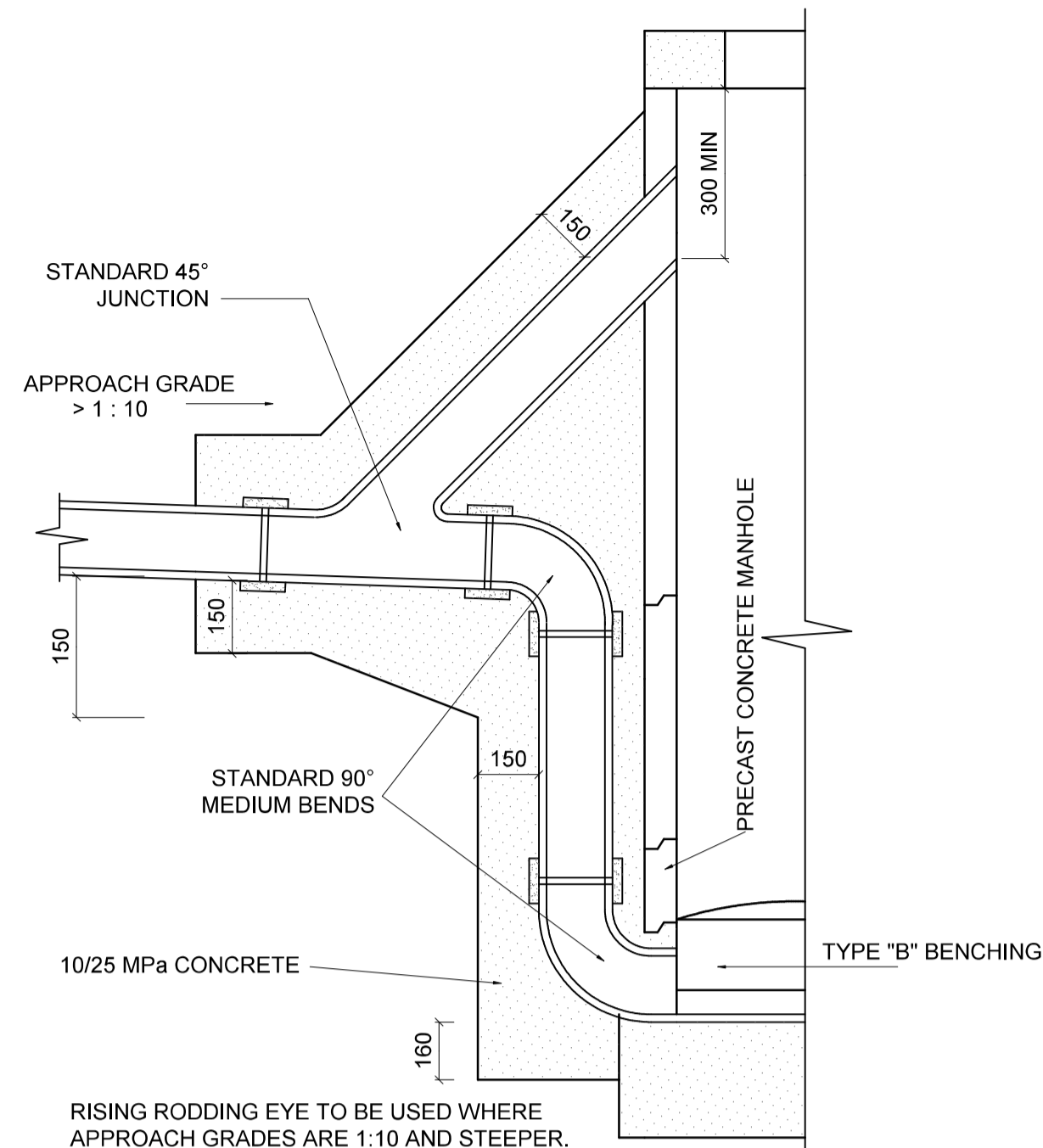
**RAMP MANHOLE : TYPE A
FOR DROPS BETWEEN 500 AND 1000**



**RAMP MANHOLE : TYPE B
FOR DROPS BETWEEN 500 AND 1000**

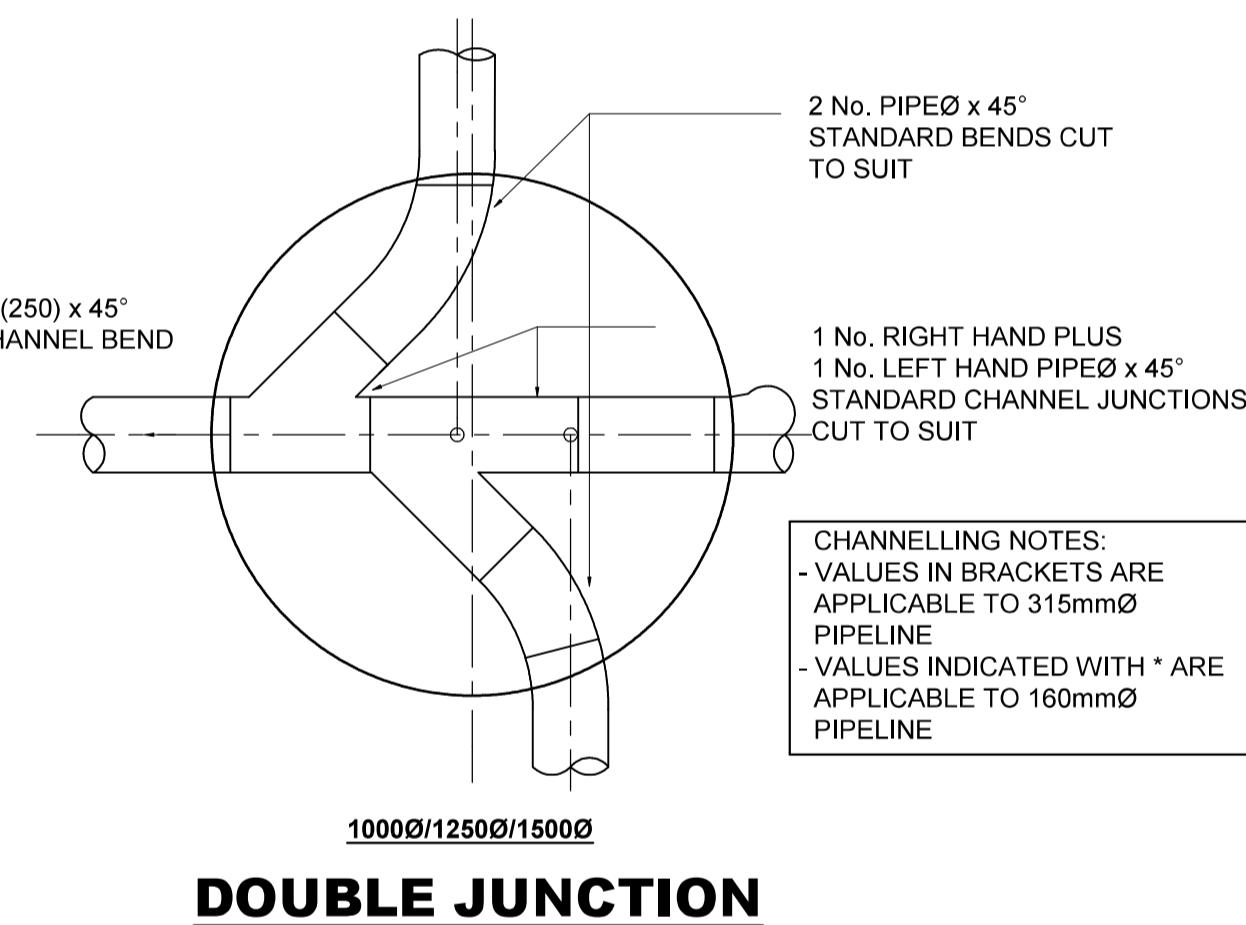
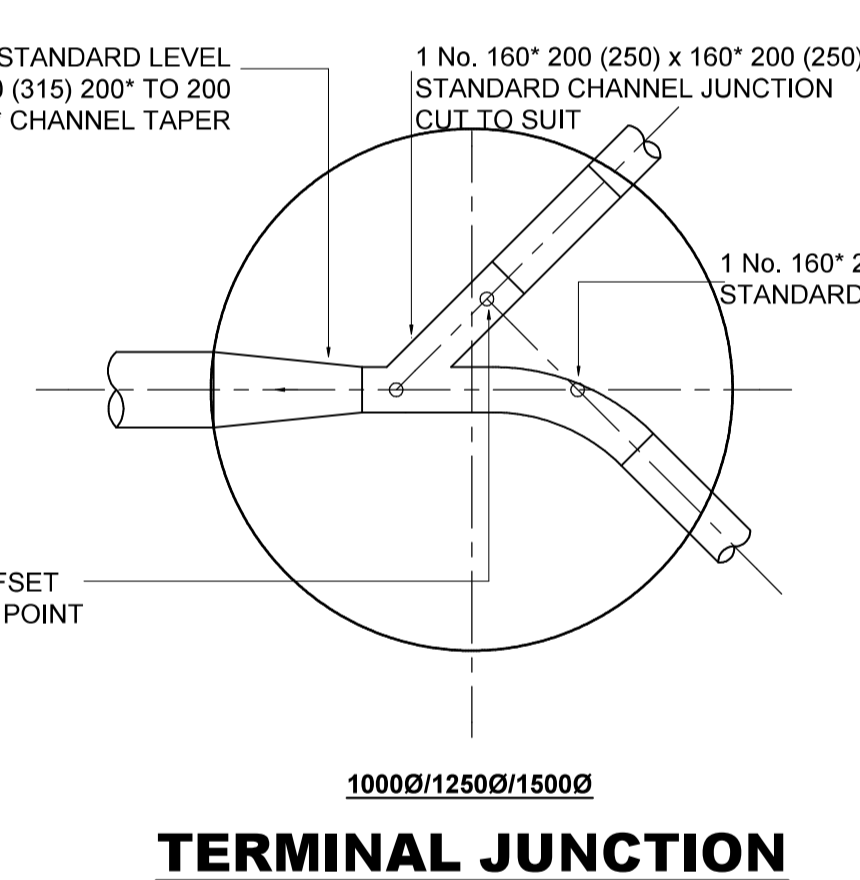
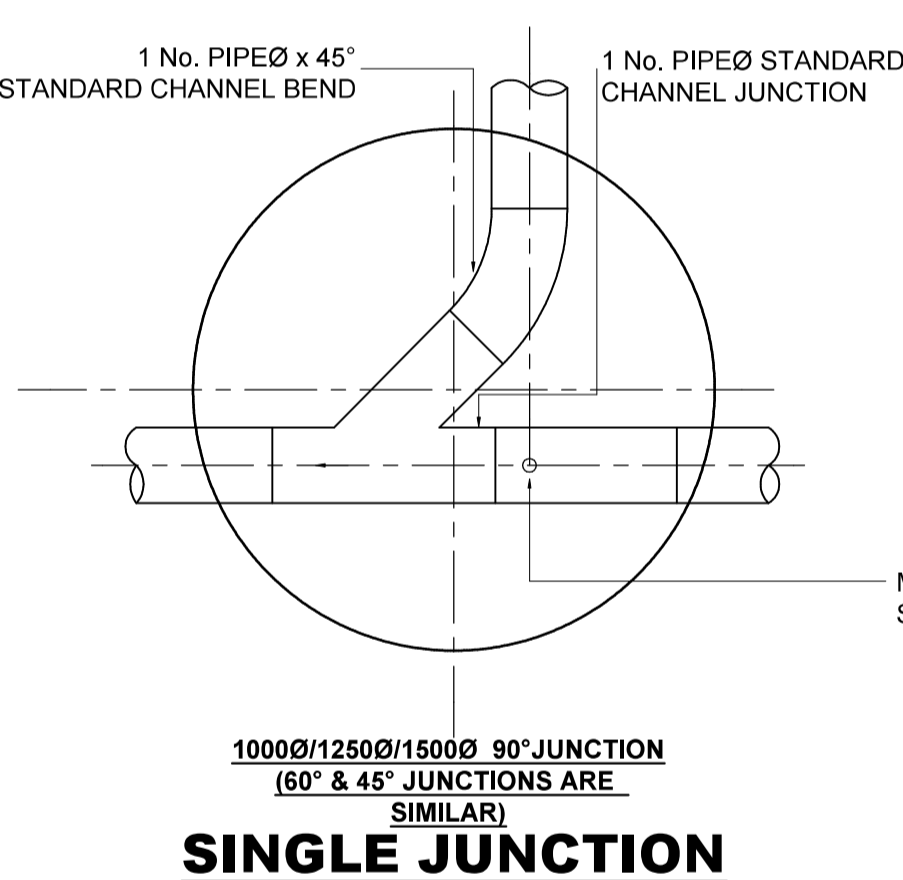
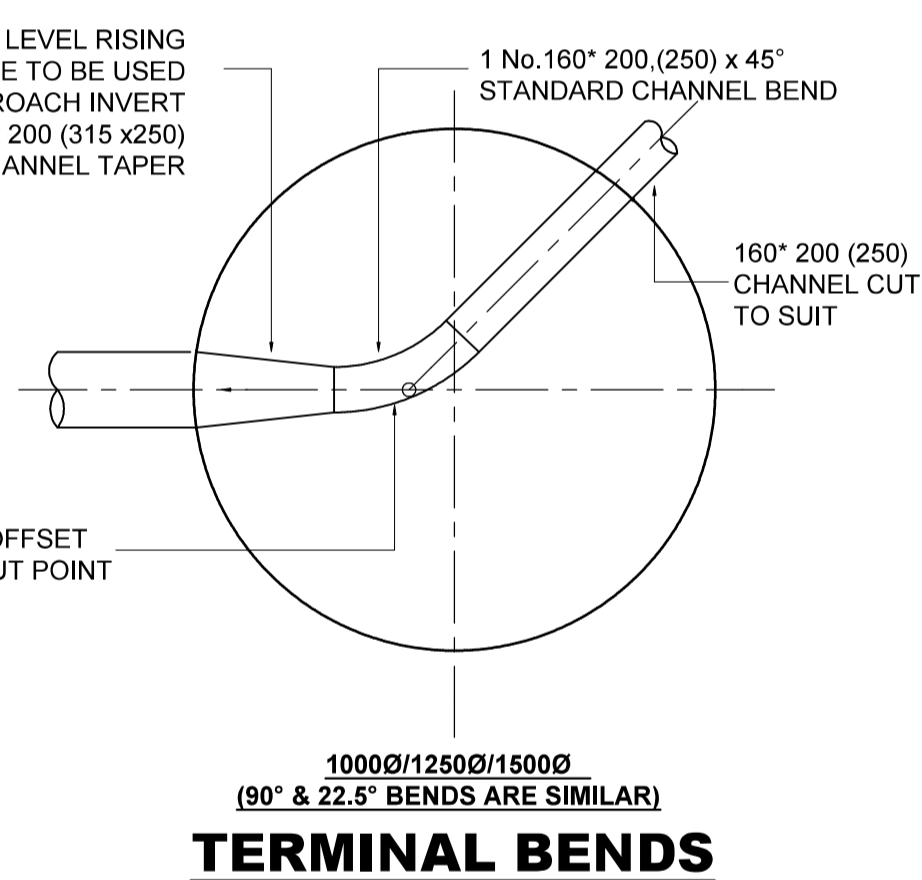
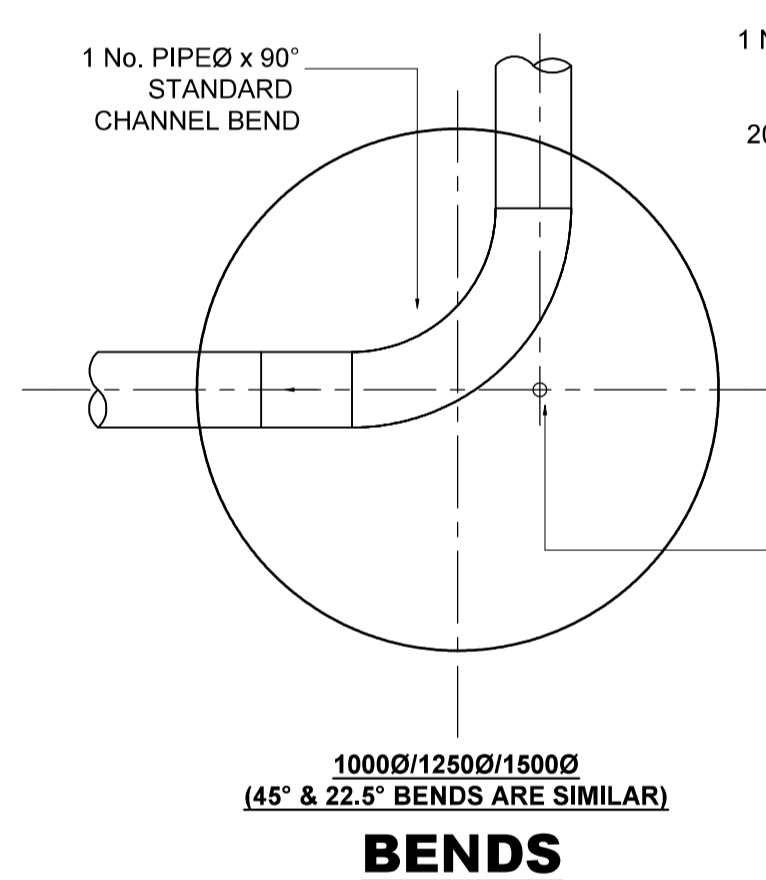


**BACKDROP MANHOLE : TYPE A
FOR DROPS IN EXCESS OF 1000**



**BACKDROP MANHOLE : TYPE B
FOR DROPS IN EXCESS OF 1000**

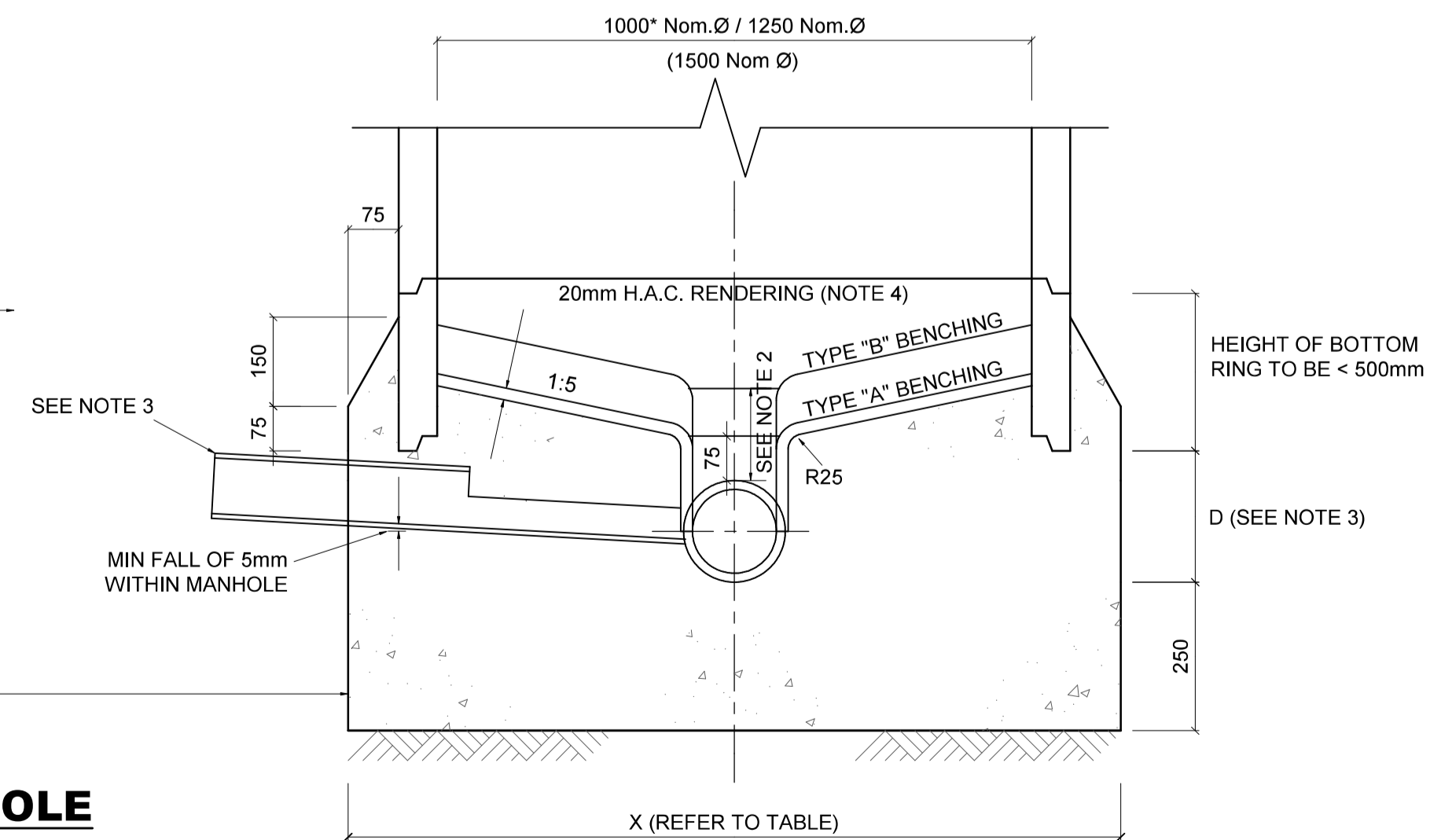
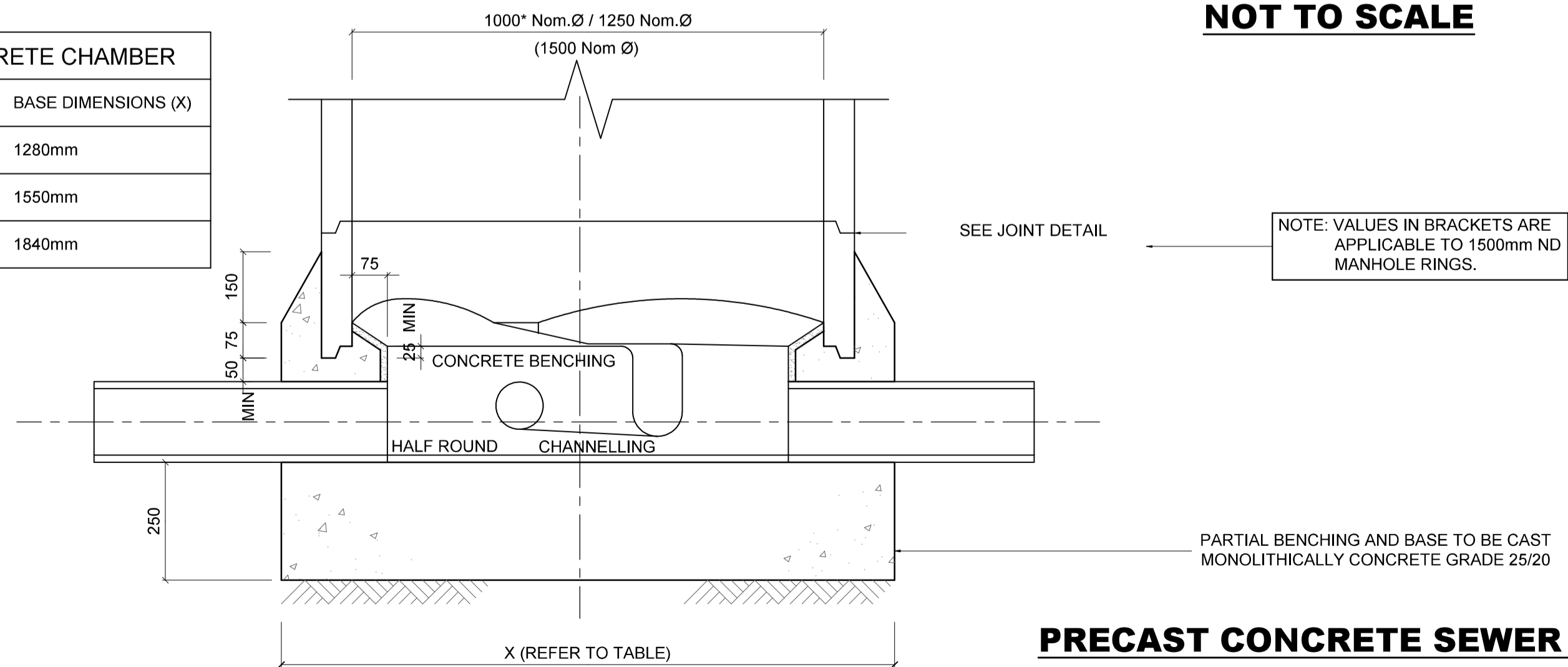
**STANDARD FITTING FOR RAMP AND BACKDROP MANHOLES.
NOT TO SCALE**



CHANNELLING NOTES:
- VALUES IN BRACKETS ARE APPLICABLE TO 315mmØ PIPELINE
- VALUES INDICATED WITH * ARE APPLICABLE TO 160mmØ PIPELINE

**STANDARD CHANNELLING IN PRECAST CONCRETE MANHOLES
NOT TO SCALE**

ND MANHOLE RINGS	BASE DIMENSIONS (X)
1000mm	1280mm
1250mm	1550mm
1500mm	1840mm



NOTE:
1. THIS DRAWING TO BE READ IN CONJUNCTION WITH DRAWING: WP2319-MNA-FT-SA-402

2. WHERE APPROACH GRADES INTO THE MANHOLE ARE 1:15 OR STEEPER AND ASSOCIATED WITH A CHANGE IN DIRECTION IN THE MANHOLE OF 30 OR MORE, THE BENCHING IS TO BE BROUGHT UP TWO PIPE DIAMETRES ABOVE THE PIPE INVERT (TYPE B BENCHING SEWERS).

3. DIMENSION "D" VARIES WITH THE DIAMETER OF THE SEWER PIPES AND SHALL BE TO A POINT 50mm ABOVE THE HIGHEST CROWN OF THE PIPES.

4. RENDERING FOR MANHOLE BENCHING SHALL CONSIST OF ONE PART H.A.C. TO TWO PARTS SAND THOROUGHLY MIXED AND APPLIED TO CONCRETE SURFACES WHILE THE LATTER ARE STILL GREEN. RENDERING SHALL BE AT LEAST 20mm THICK.

MAKHAOTSE, NARASIMULU & ASSOCIATES (Pty) Ltd
Consulting Civil Engineers and Project Managers
Reg No. 2009/010089/07

84 Cleland Road Hayfields P.O. Box 28580
Pietermaritzburg 3201 Haymarket
Tel (033) 346 2835 Pietermaritzburg 3200
Fax (033) 346 2328 e-mail: pmb@mna-sa.co.za

TENDER DRAWING

DATE : _____

SIGNED BY : _____

CONSULTING ENGINEER

REV	DATE	DESCRIPTION	BY	CHK
A	31-03-21	TENDER DRAWING	AG	SD

DRG. NO. REFERENCE DRAWINGS

CLIENT LOGO



CLIENT NAME **HOUSING DEVELOPMENT AGENCY**

PROJECT TITLE
INSTALLATION OF INTERNAL WATER AND SEWER NETWORK FOR UNIT 3 AND 7 MELODING, VIRGINIA

DRAWING TITLE
SEWER MANHOLE RAMP BACKDROP AND CHANNELLING DETAIL

	RESPONSIBLE PERSON	DATE
DESIGNED	A. GANASS	25-02-2021
CHECKED	S. DELOMONEY	25-02-2021
DRAWN	A. GANASS	25-02-2021
CHECKED	S. DELOMONEY	25-02-2021
SCALES	AS NOTED	SHEET SIZE A1
DRAWING NO.	WP2319-MNA-FT-SA-403	REVISION A