

- NOTES
- CONCRETE FINISHES
    - UNWROT SHUTTERING - UNEXPOSED SURFACES
    - WROT SHUTTERING - INTERNAL AND EXTERNAL EXPOSED SURFACES
    - WOOD FLOAT - TOP OF CHAMBER WALLS AND FLOOR SLABS
    - STEEL FLOAT - PART OF FOUNDATION RING BEAM, SCREEDS, AND PEDESTAL (FLOOR SCREED TO BE FLOATED IN BY SCRAPER)
  - LAUNDRY AND CHAMBER WALLS TO HAVE 20 x 20 CHAMBERS
  - BLINDING LAYER AND NO FINES CONCRETE TO BE PLACED IMMEDIATELY EXCAVATION IS COMPLETE.
  - TOP SURFACE OF NO FINES LAYER TO BE PLASTERED WITH DRY PLASTER SEAL.
  - CONCRETE GRADES TO BE
    - 1 - 5 NO FINES
    - 10/40 MASS FILL (WHERE INSTRUCTED BY ENGINEER)
    - 15/19 BENCHING, BLINDING
    - 25/19 PRECAST BLOCKS AND STEPS
    - 35A/19 FOOTINGS, BASE SLABS, WALLS, AND COLUMN

SECTION D-D  
SCALE 1:25

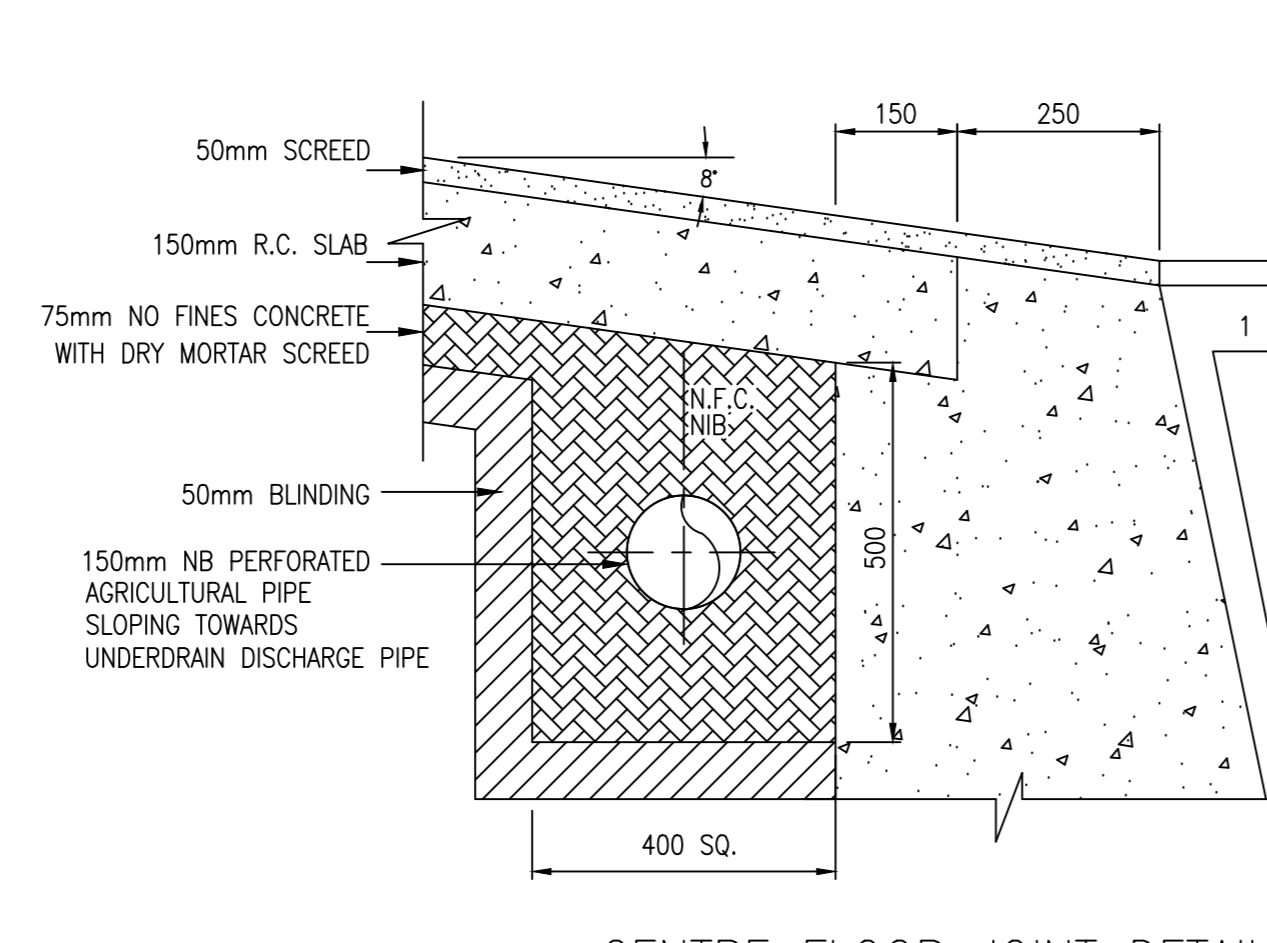
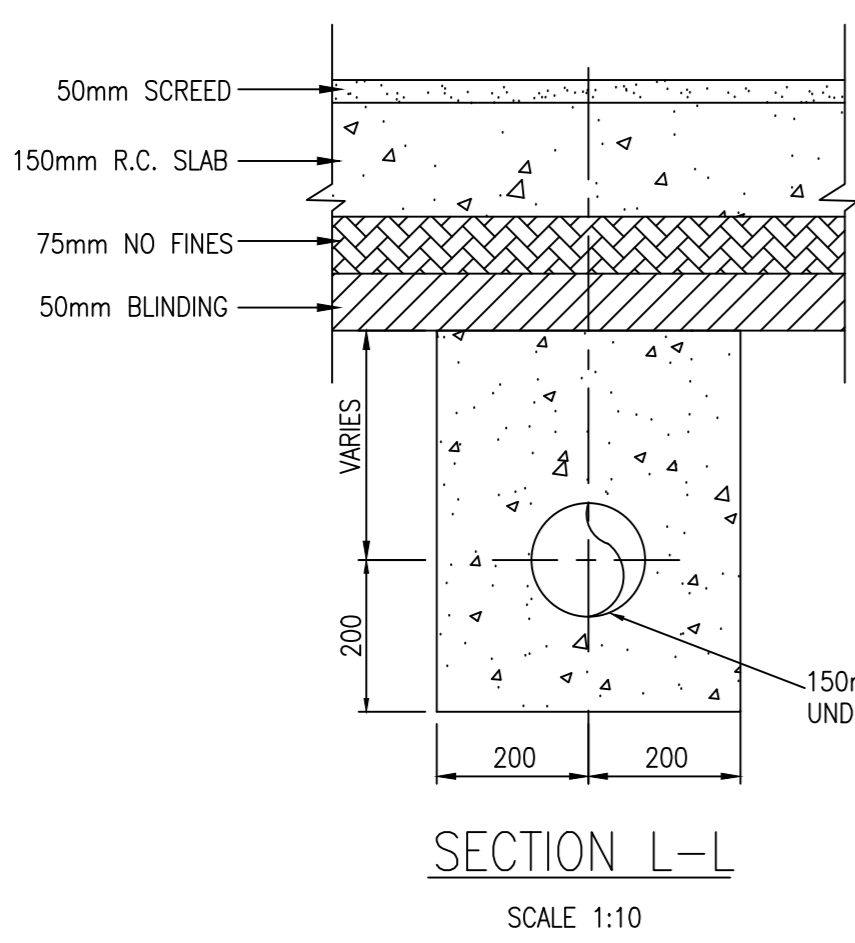
SECTION G-G  
SCALE 1:25

FLOW DIVERTER PLATE ELEVATION  
SCALE 1:10

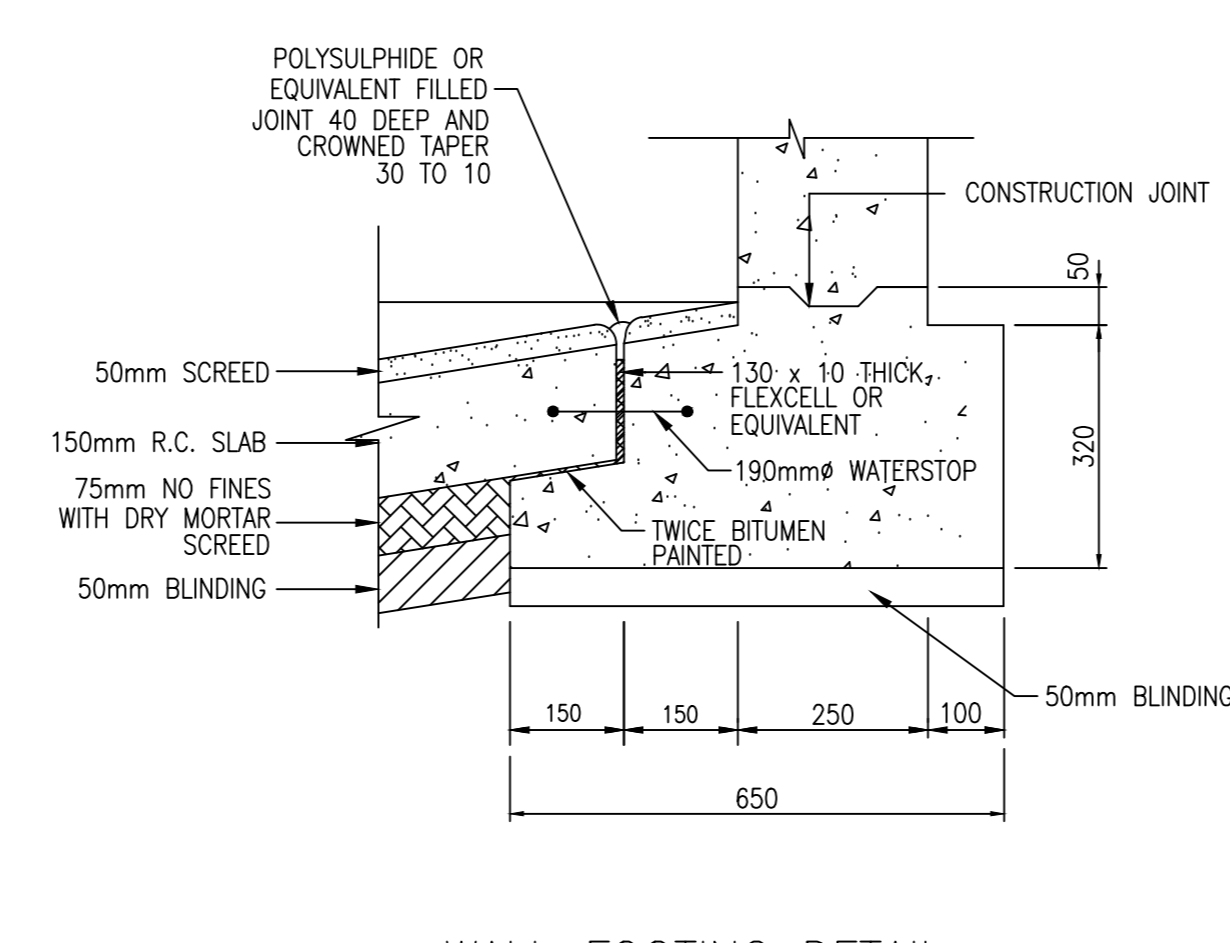
FLOW DIVERTER PLATE DETAIL  
SCALE 1:10

CLARIFIED EFFLUENT OUTLET CHAMBER  
SCALE 1:25

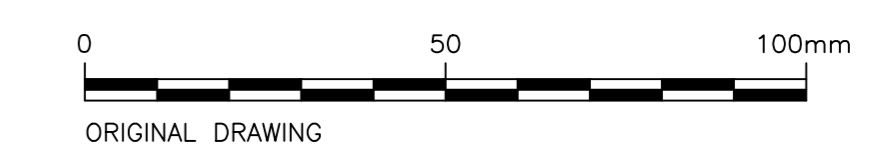
SECTION F-F  
SCALE 1:25



CENTRE FLOOR JOINT DETAIL  
SCALE 1:10



WALL FOOTING DETAIL  
SCALE 1:10



No.	REFERENCE DRAWINGS	REVISIONS	DATE	CHKD	APPRV
1	ISSUED FOR TENDER		01/22		
ONLY REVISIONS MARKED THUS ARE VALID					

DESIGNED	W.T.
CHECKED	P. MANTUNGWA
DRAWN	W.T.
TRACED	
CHECKED	P. MANTUNGWA
PROJ. ENG.	P. MANTUNGWA

Asande Projects Consulting & Engineering

HDA HOUSING DEVELOPMENT AGENCY

APPROVED: \_\_\_\_\_

PROJECT/DRAWING TITLE

LEPHALELE MUNICIPALITY

PAARL WASTE WATER TREATMENT WORKS UPGRADE

DETAILS OF CLARIFIER

ALT. DWG. No.	CONTRACT No.
SHT. No.	PROJECT No. XXXXX
DRAWING No. XXXXX - 06	REVISION 0