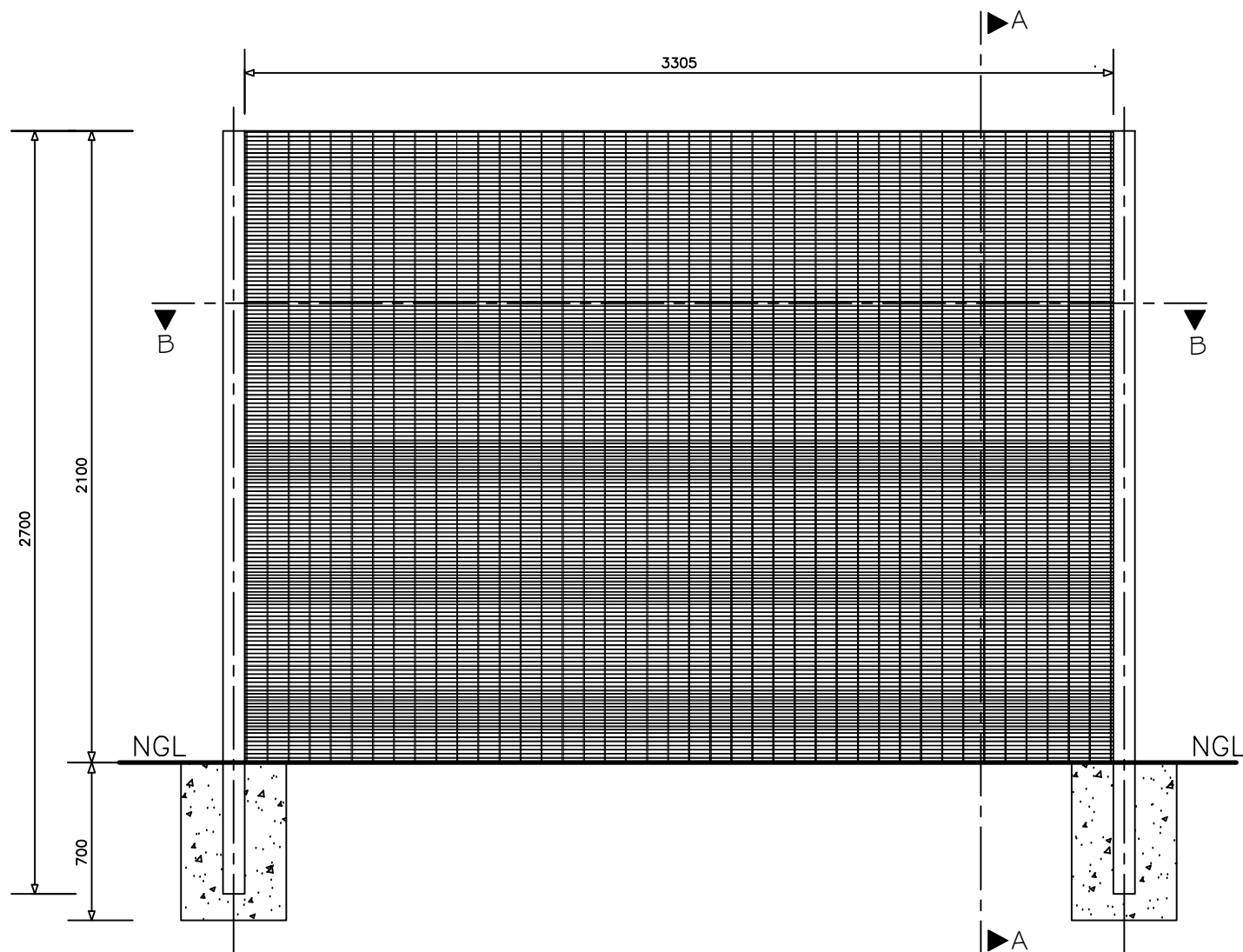
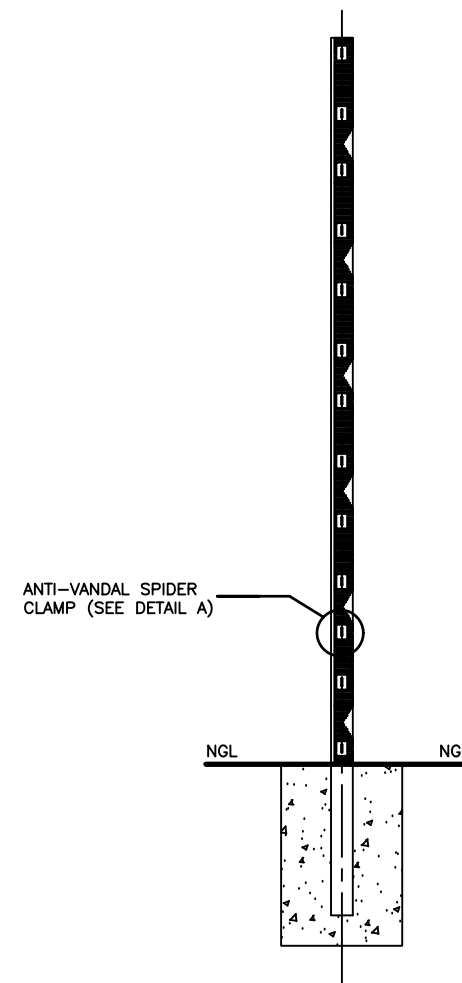


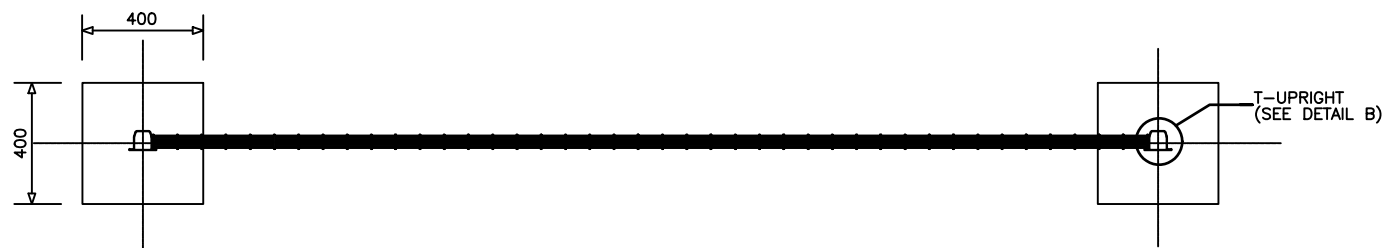
SPECIFICATION



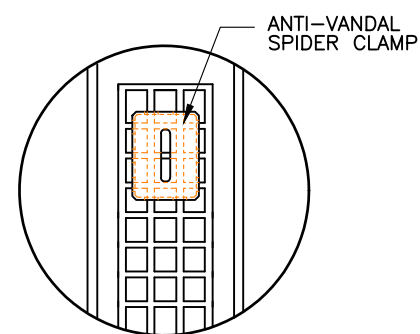
FRONT VIEW
Scale 1:25



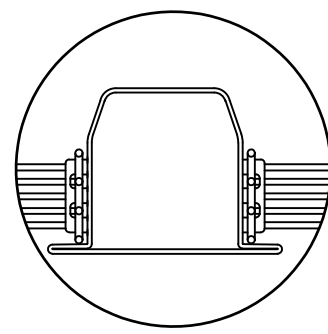
SECTION A-A
Scale 1:25



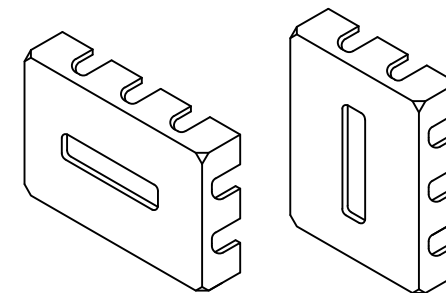
SECTION B-B
Scale 1:25



DETAIL A: SPIDER CLAMP
Scale 1:25



DETAIL B: T-UPRIGHT
Scale 1:25



ISOMETRIC VIEW OF SPIDER CLAMP
Scale 1:10

All dimensions to be checked on site before construction commences.

Project:

**MDANTSANE EAST
TEMPORARY RESIDENTIAL
AREA**

Client:

**BUFFALO CITY
METROPOLITAN
MUNICIPALITY**



Project Sponsor:



**EASTERN CAPE
DEPARTMENT OF
HUMAN
SETTLEMENTS**

Implementing agent:



**HOUSING
DEVELOPMENT
AGENCY**

Drawing title:

**CLEAR VU FENCE
DETAILS**

DRAWN
tm

Drq. No
HDA/1.07/TR7

Rev
△