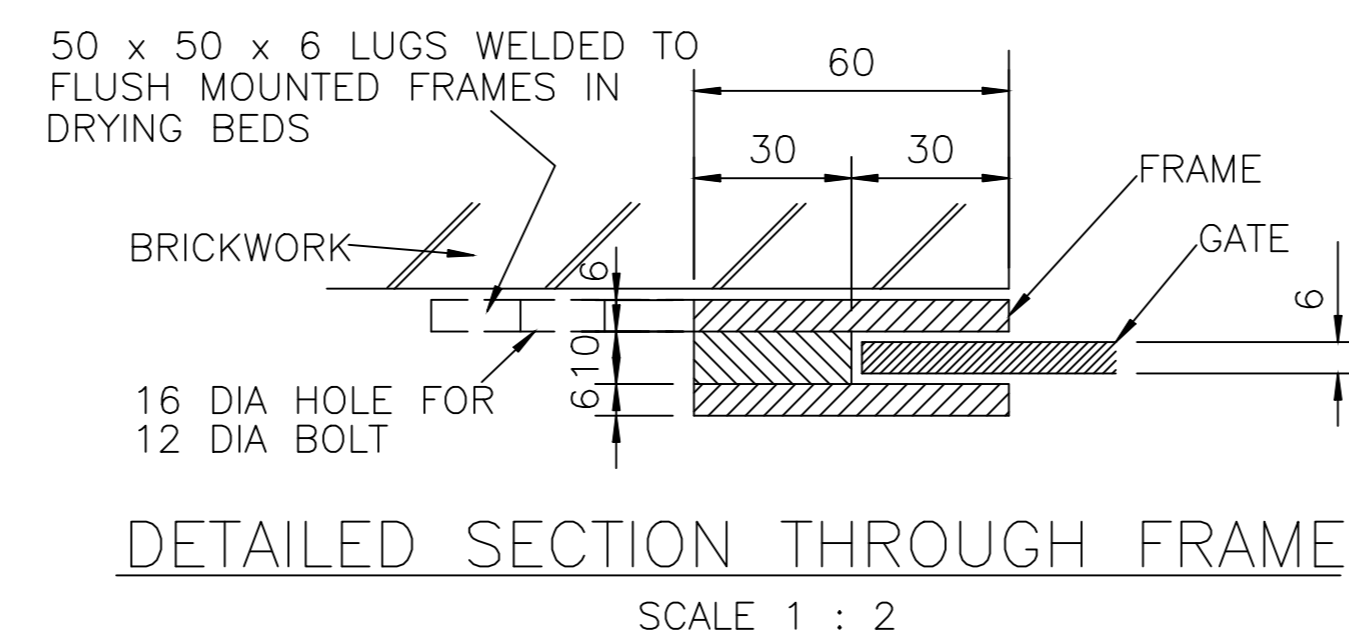
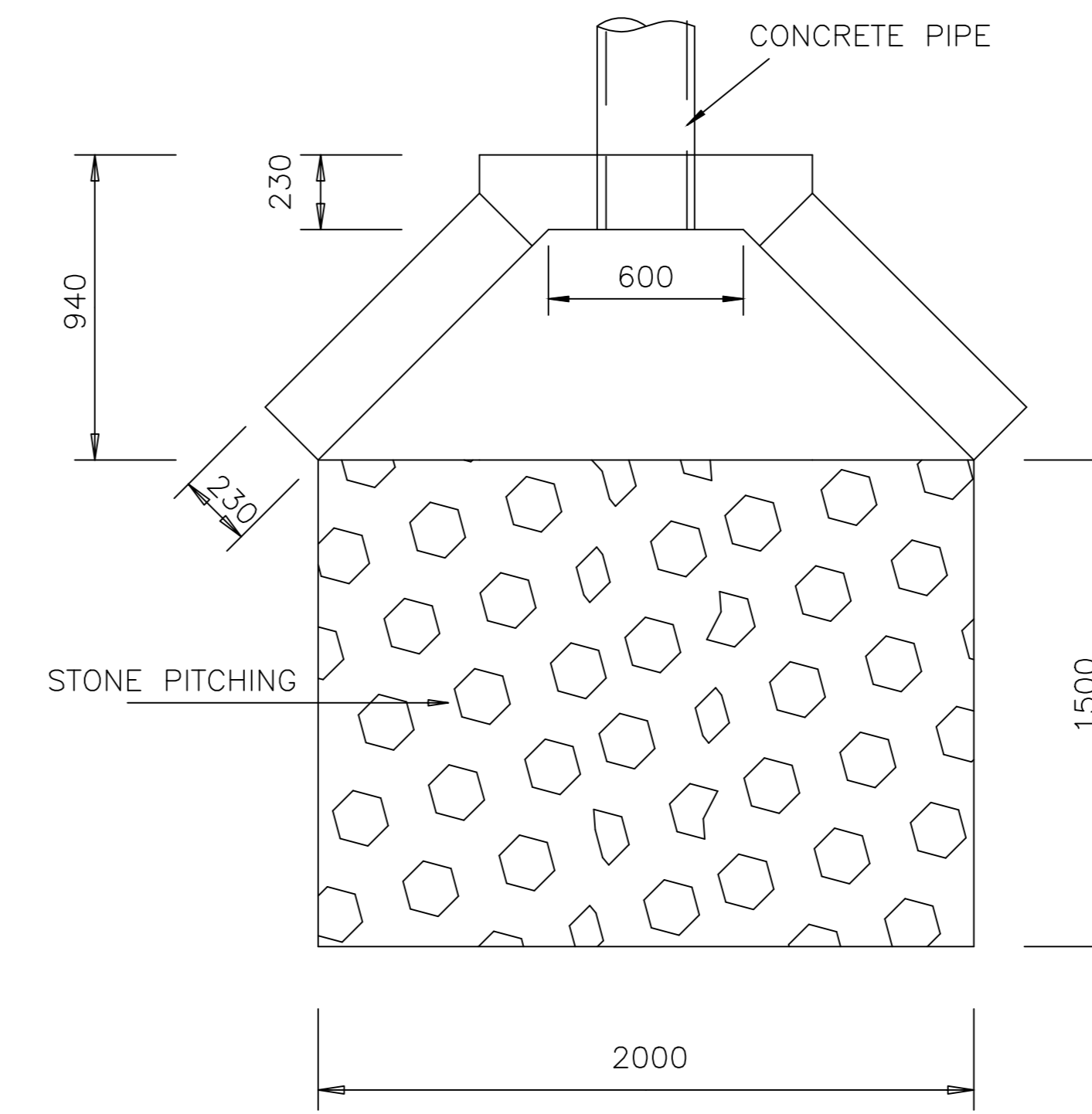


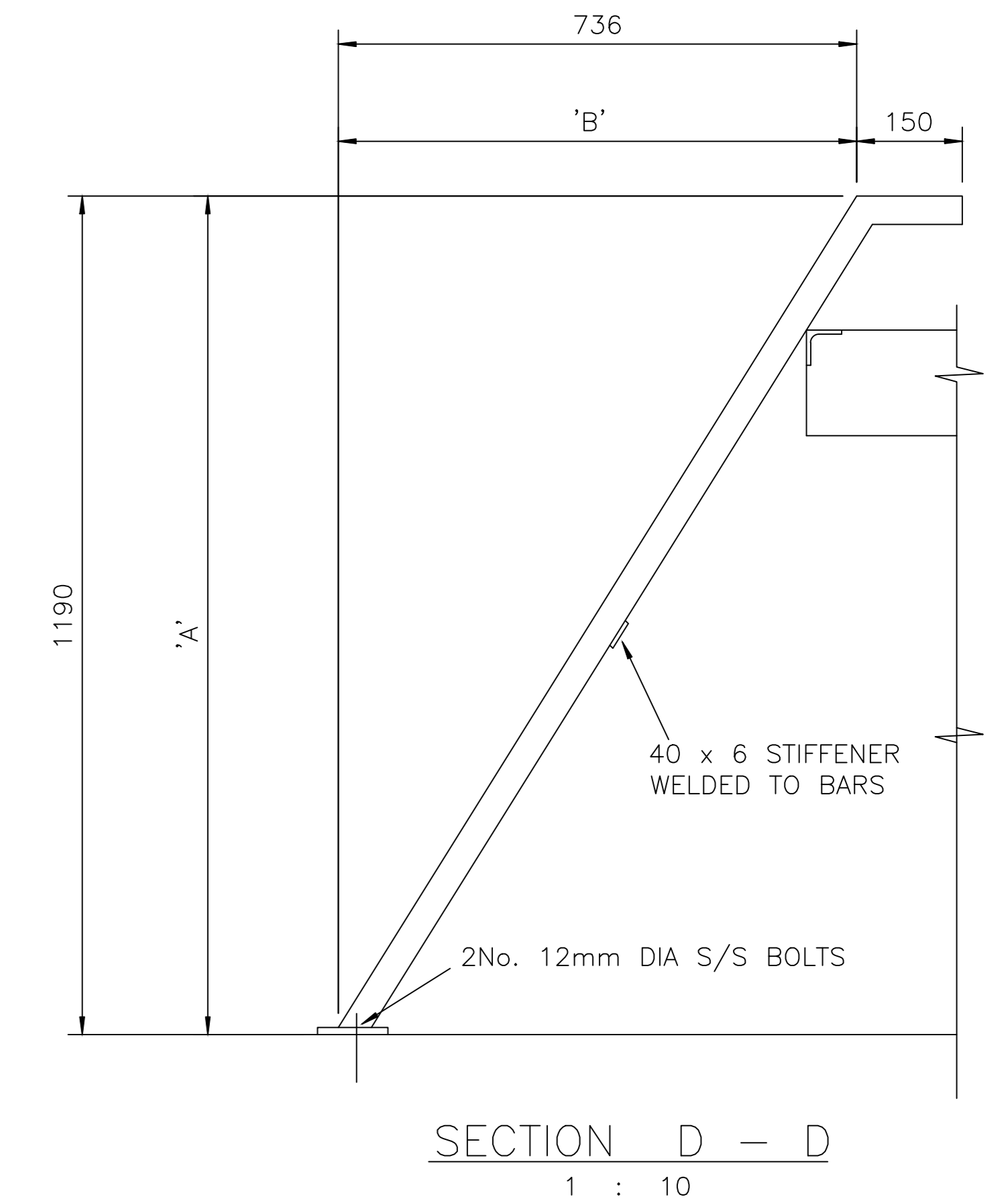
DETAILS OF GATES – SLUDGE DRYING BEDS
SCALE 1 : 5



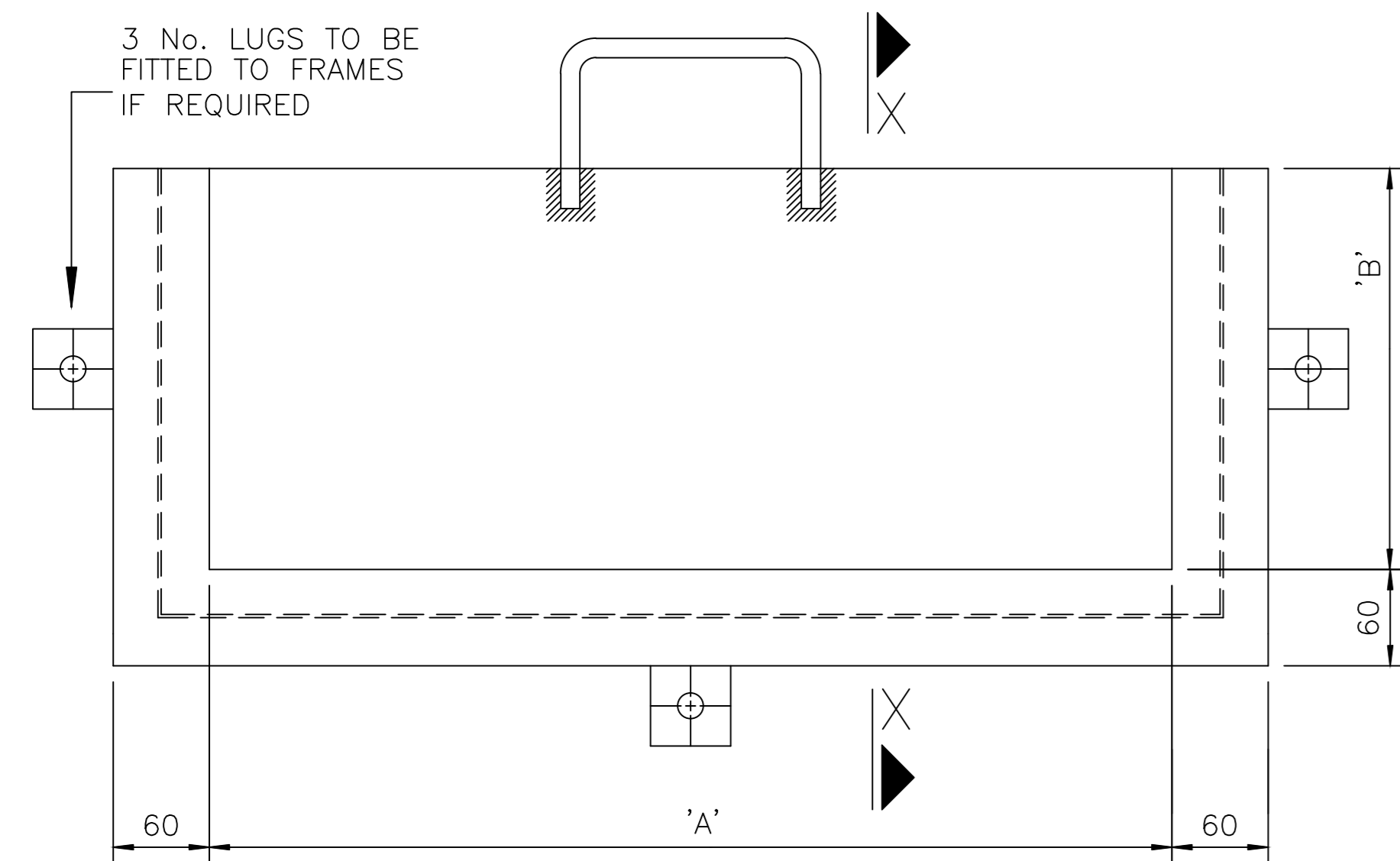
DETAILED SECTION THROUGH FRAME
SCALE 1 : 2



PLAN
HEAD WALL

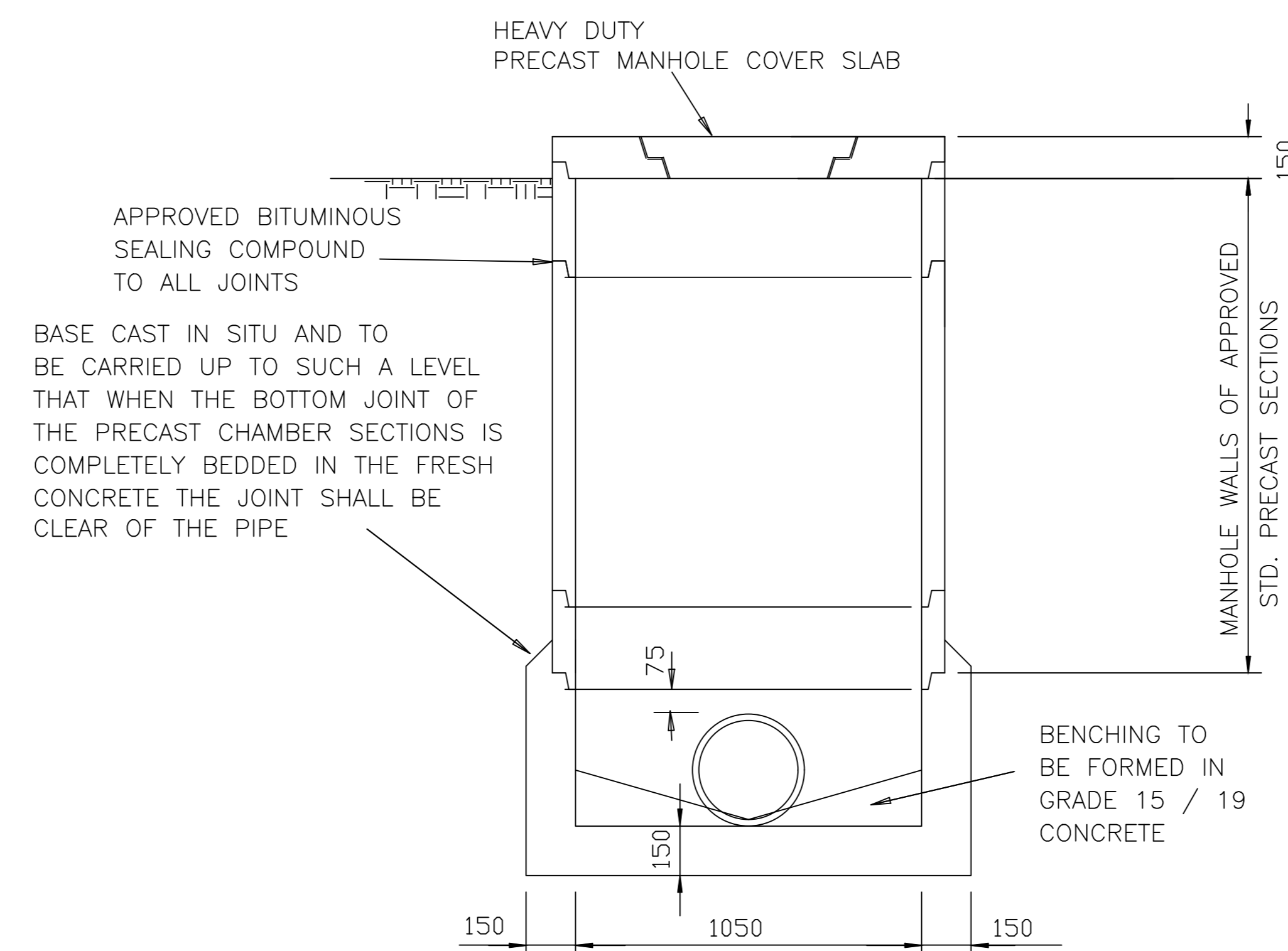


SECTION D – D
1 : 10

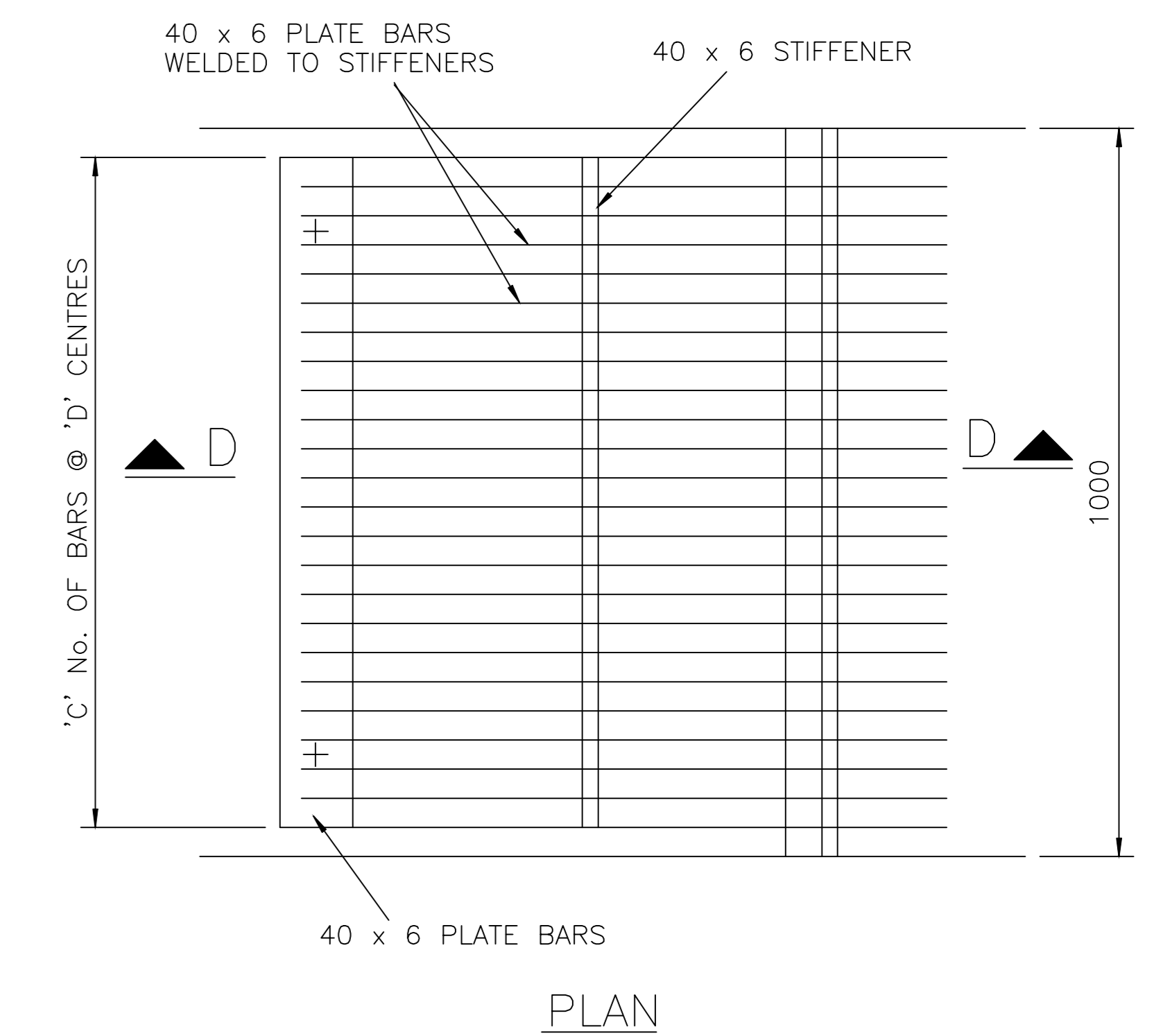


TYPICAL GATE ELEVATION
SCALE 1 : 5

STRUCTURE	' A '	' B '
INLET WORKS	900	1100
INLET WORKS	500	1100
INLET – HOLDING	600	1100

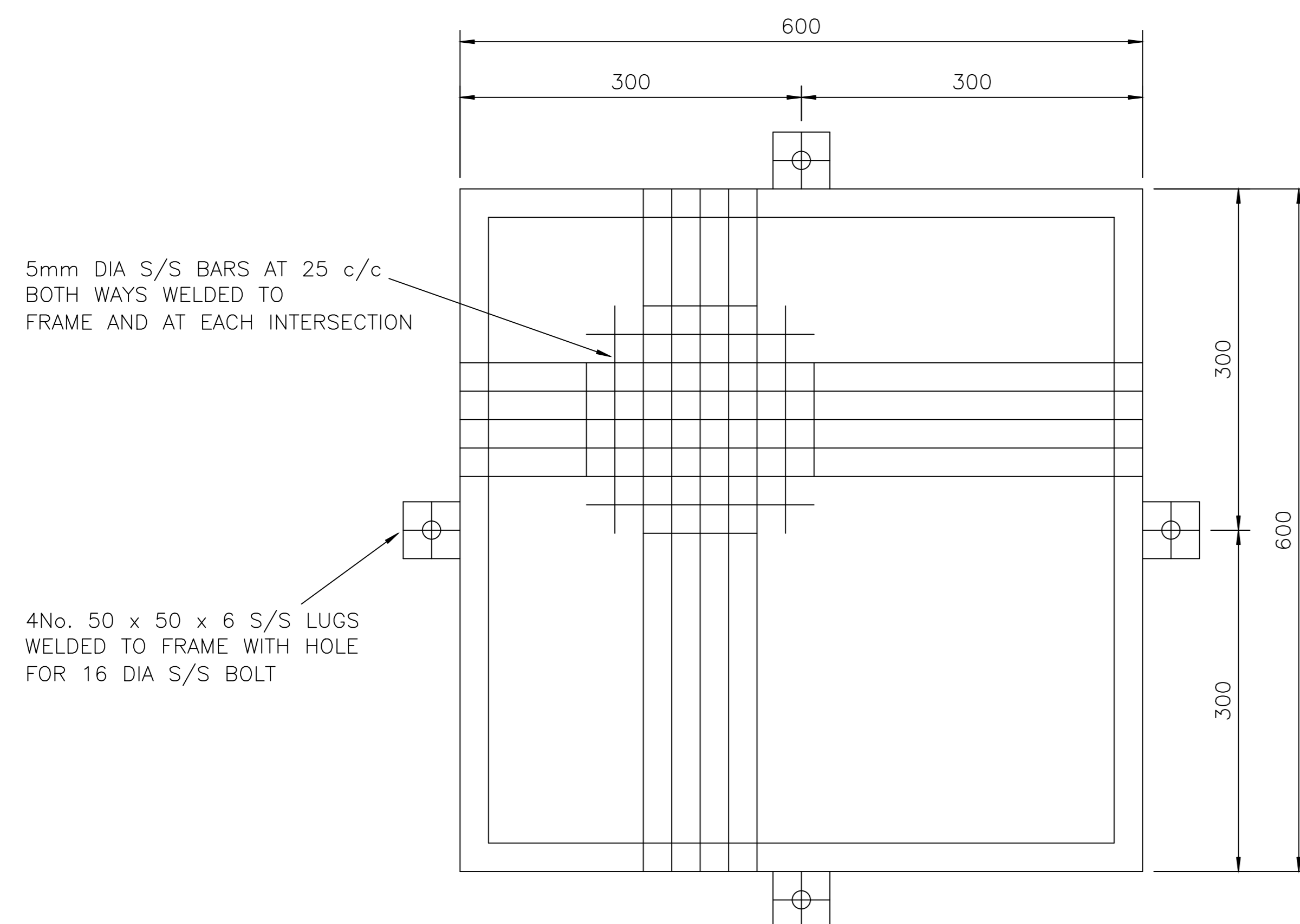


TYPICAL DETAIL OF PRECAST CONCRETE MANHOLE

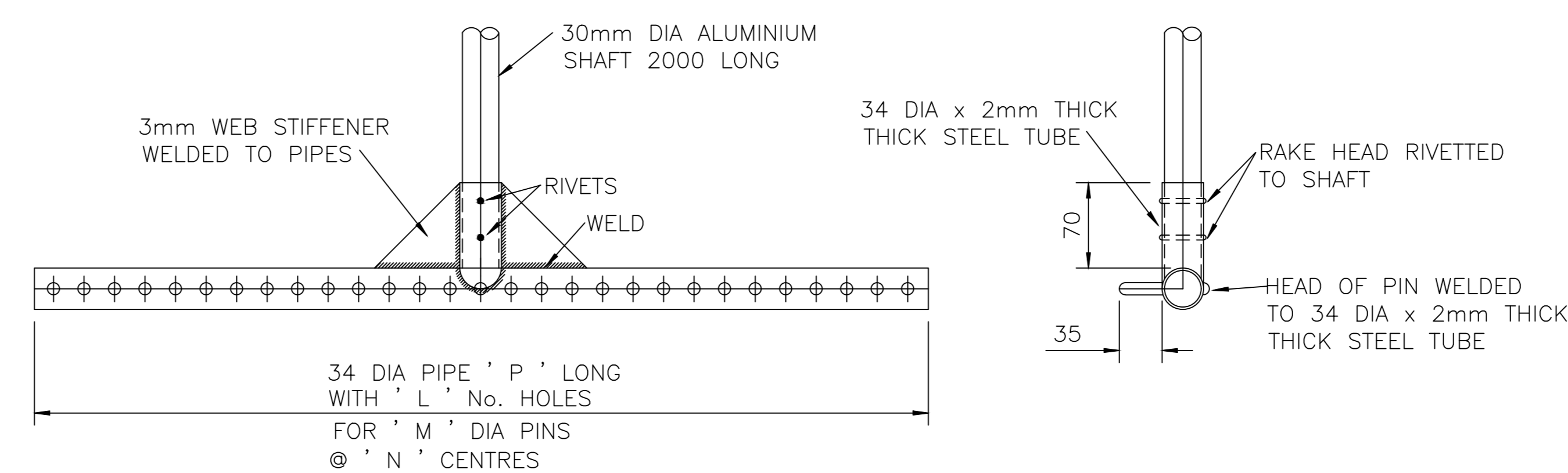


STRUCTURE	' A '	' B '	' C '	' D '
SLUDGE SUMP	1300	1170	920	40
INLET WORKS	1120	1450	520	40

DETAILS OF S/S SCREEN
1 : 10

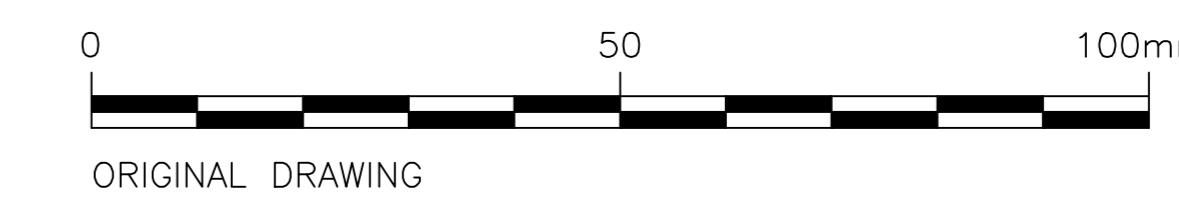


DETAIL OF SCREEN FOR UNDERDRAIN
BOX – HOLDING / AERATOR
SCALE 1 : 5



STRUCTURE	' P '	' L '	' M '	' N '
INLET WORKS	820	21	10	40
RAS SUMP	520	13	10	40

DETAILS OF GALVANISED / ALUMINIUM RAKE
SCALE 1 : 5



ORIGINAL SCALE
AS SHOWN

No.	REFERENCE DRAWINGS

ISSUED FOR TENDER	01/22		
REVISIONS	DATE	CHKD	APPRV
1			
ONLY REVISIONS MARKED THUS Δ ARE VALID			

DESIGNED	W.T.
CHECKED	P. MANTUNGWA
DRAWN	W.T.
CHECKED	P. MANTUNGWA
PROJ. ENG.	P. MANTUNGWA

Asande Projects Consulting & Engineering

APPROVED: _____

HDA HOUSING DEVELOPMENT AGENCY

APPROVED: _____

PROJECT/DRAWING TITLE
LEPHALELE MUNICIPALITY
PAARL WASTE WATER TREATMENT WORKS UPGRADE
METALWORK AND MISCELLANEOUS DETAILS

ALT. DWG. No.	CONTRACT No.
SHT. No. OF	PROJECT No. XXXXX
DRAWING No. XXXXX – 11	REVISION Δ