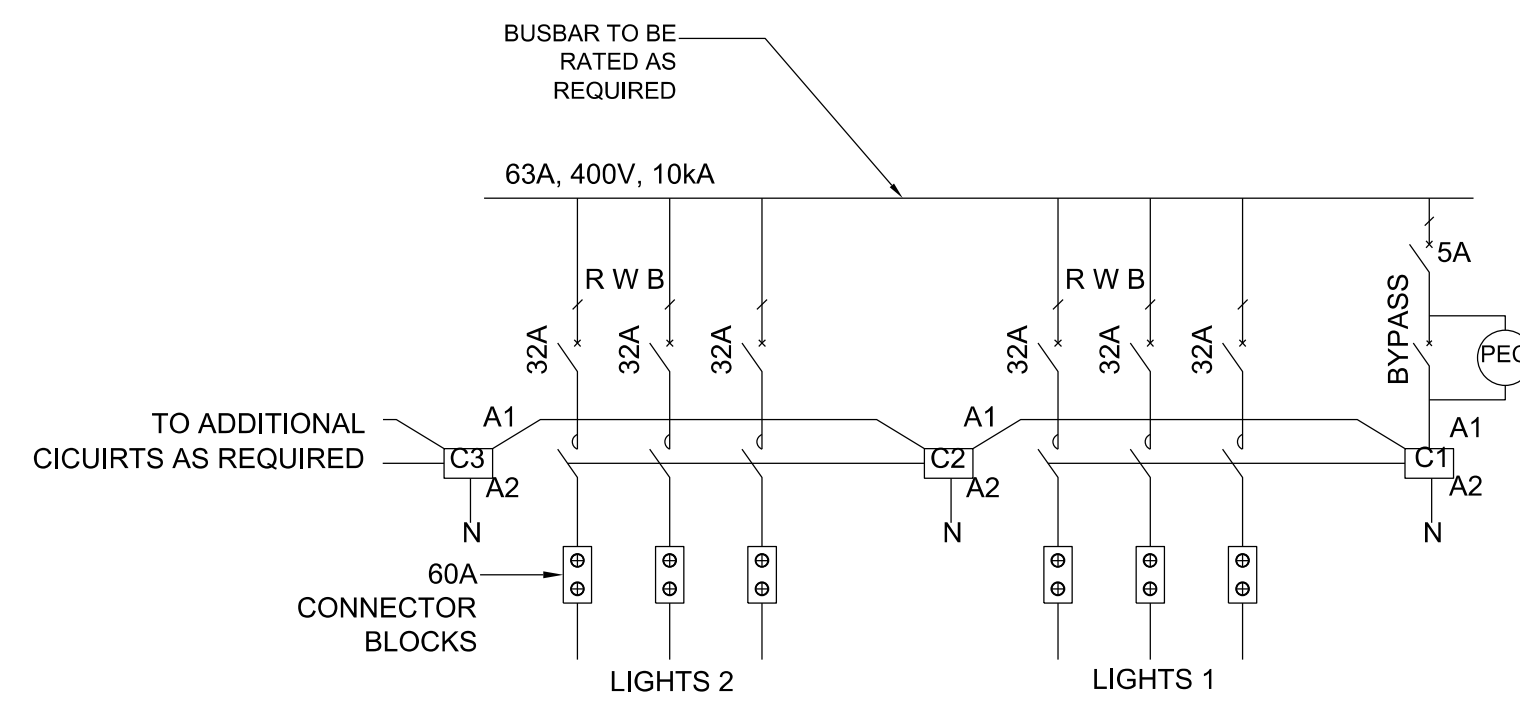


TYPICAL SINGLE LINE DIAGRAM SCHEMATIC



DETAIL A SCHEMATIC - PEC IN KIOSK (FOR CENTRALIZED CONTROL)

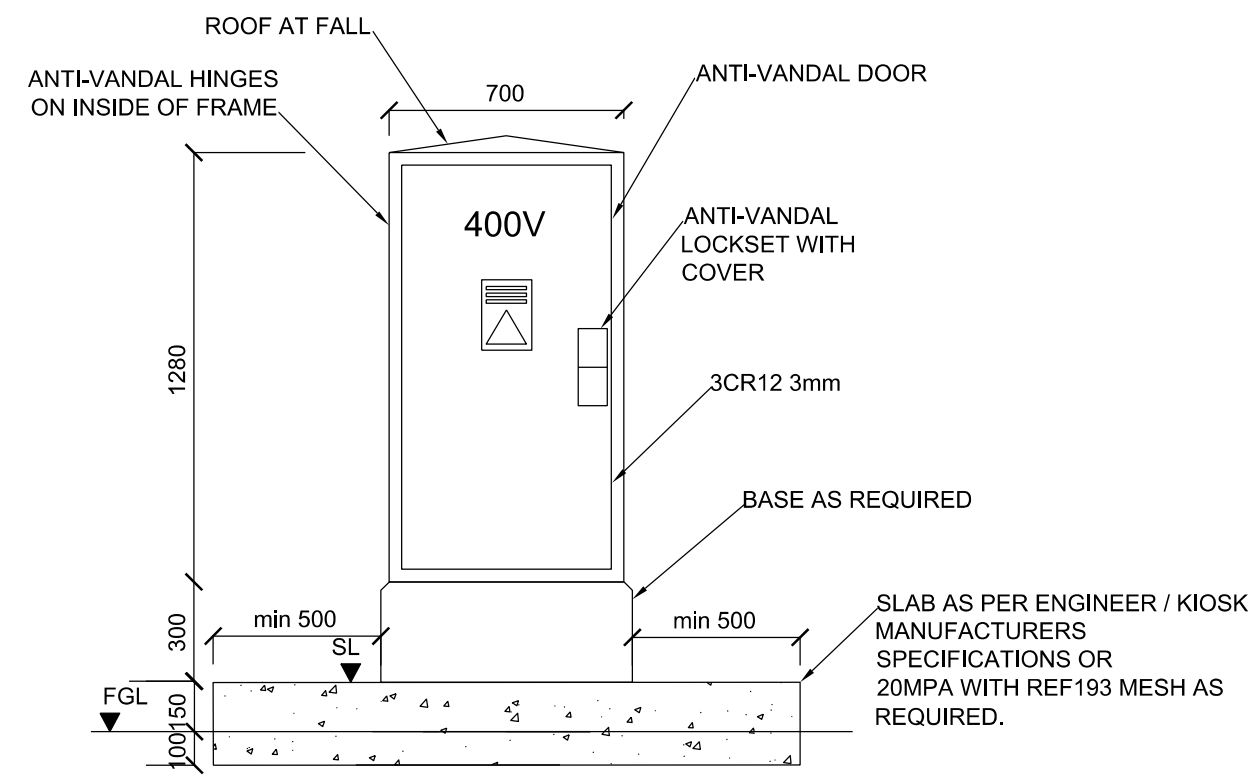
LEGEND	
SYMBOL	DESCRIPTION
	TRANSFORMER
	3-PHASE CIRCUIT BREAKER
	SURGE ARRESTOR
	SINGLE PHASE CIRCUIT BREAKER
	FUSE
	30mA EARTH LEAKAGE UNIT
	3P 32A AC1 CONTACTOR WITH 230V COIL
	10 Amp PHOTO CELL WITH 7-PIN BASE

NOTES:

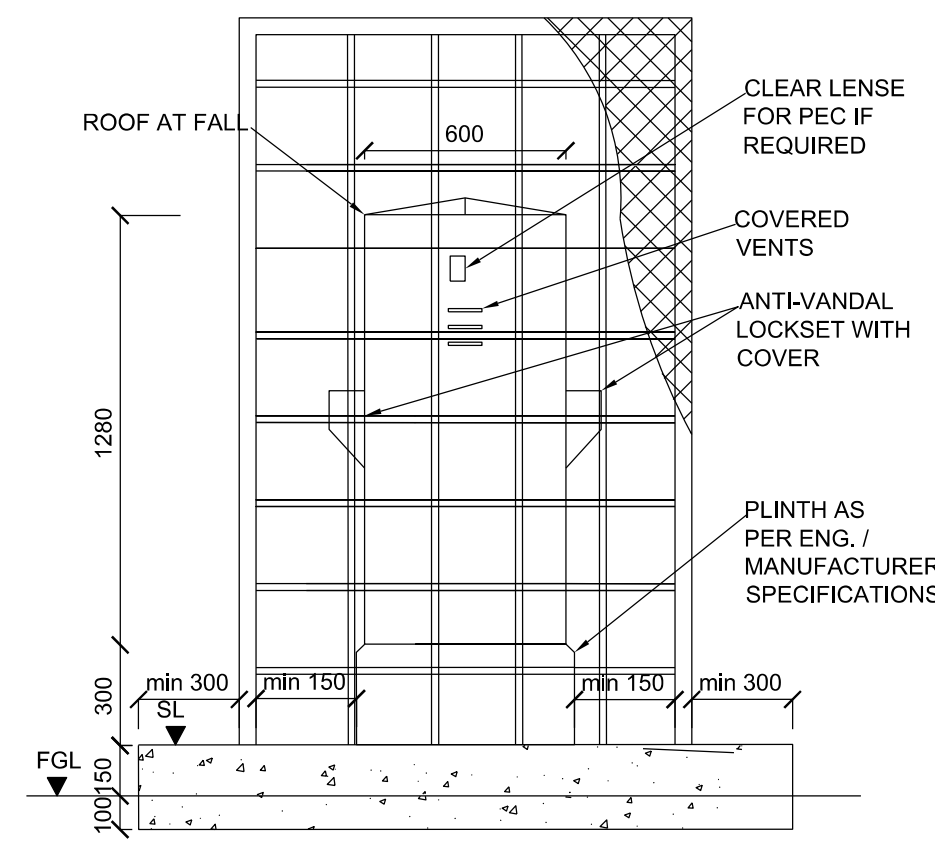
- All equipment to be approved by Engineer prior to purchase.
- Full installation to comply with relevant SANS codes.
- Socket outlet to comply with SANS 164-1 & -2

KEY NOTES:

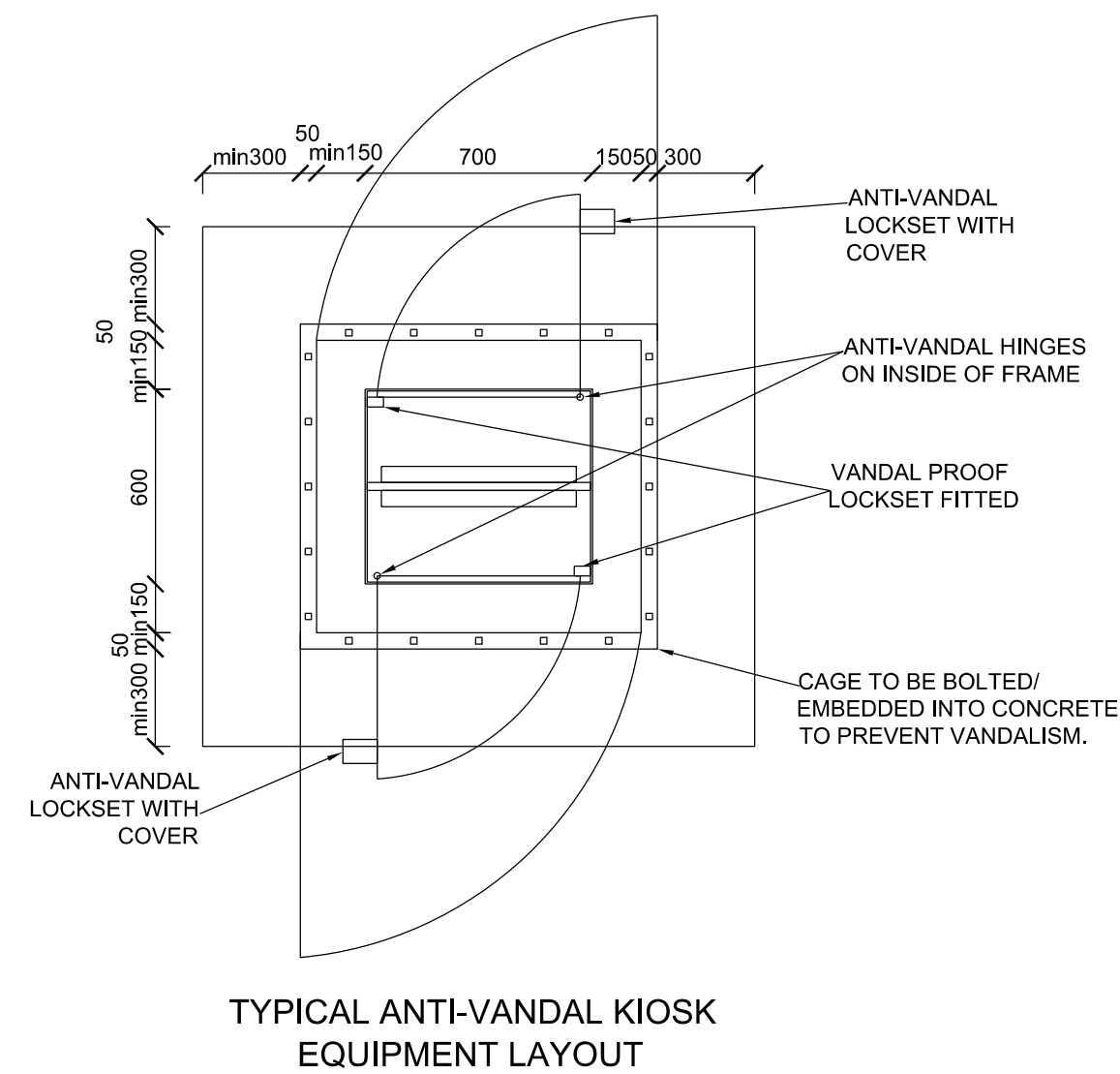
- Site light feeder circuit breakers to be 3 x single phase circuit breakers
- 32 Amp Contactor circuit with PEC to be installed if required for centralized control (See Detail A).



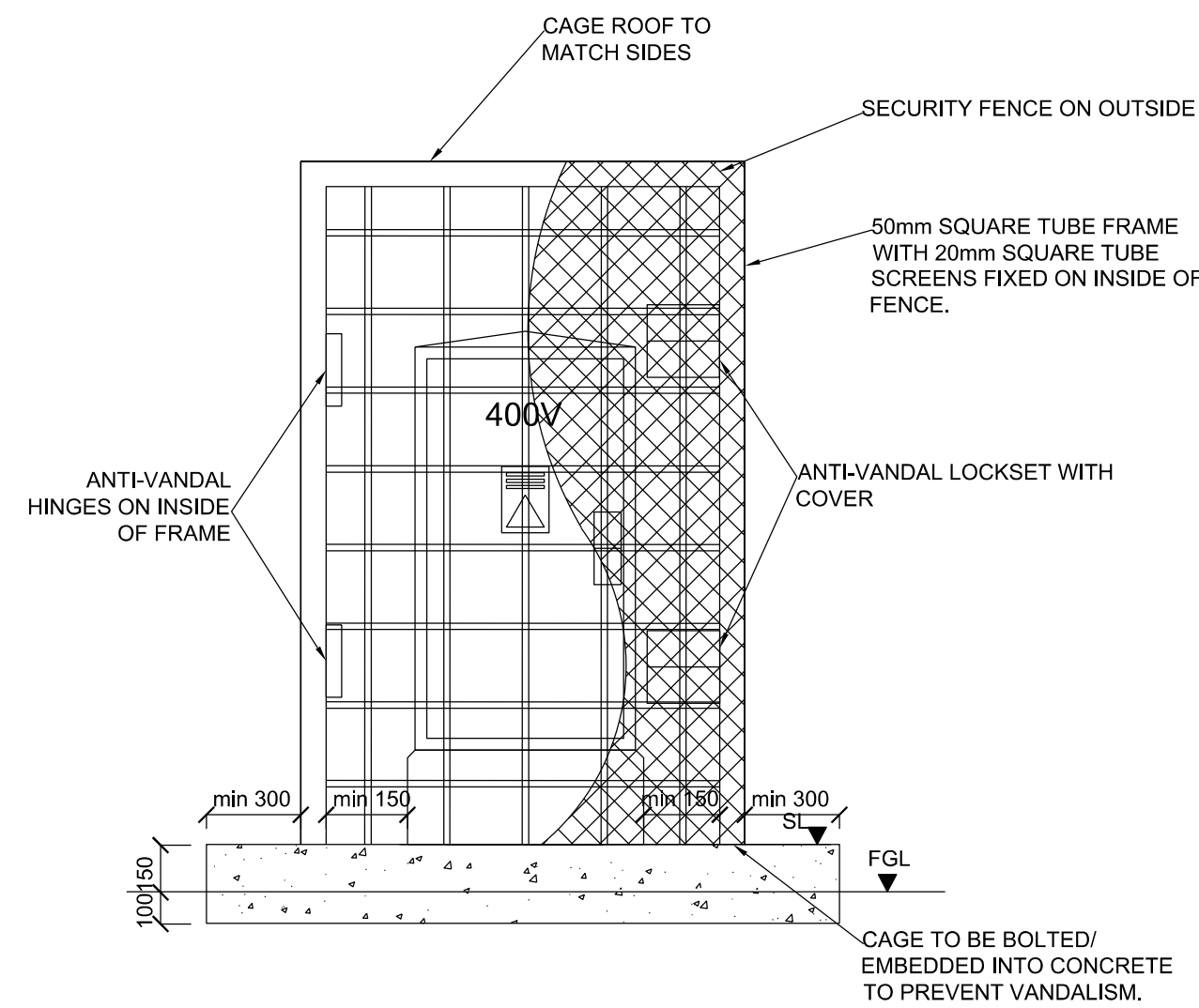
TYPICAL ANTI-VANDAL KIOSK (CAGE NOT SHOWN) FRONT VIEW (NTS)



TYPICAL ANTI-VANDAL KIOSK IN CAGE SIDE VIEW (NTS)



TYPICAL ANTI-VANDAL KIOSK EQUIPMENT LAYOUT



TYPICAL ANTI-VANDAL CAGE FRONT VIEW (NTS)

IF IN DOUBT ASK REVISION INFORMATION

No.	DATE	DESCRIPTION	BY
E1	2023-03-20	ISSUED FOR DETAIL DESIGN	MB
F1	2023-09-19	ISSUED FOR DETAIL DESIGN	MB

CLIENT

Housing Development Agency
BLOCK 6, MILLENIUM BUILDING
89 BICCARD STREET
POLOKWANE
LIMPOPO

CONSULTANT

AMCE
21 SAHARA AVE.
MIDRAND.
1685
WEB : www.amce.co.za
TELE : 011 312 1599

PROJECT DESCRIPTION
BURGERSFORT EXT 54, EXT 58, EXT 71 & 72

DISCIPLINE
ELECTRICAL DEPARTMENT

DRAWING DESCRIPTION
KIOSK SINGLE LINE DIAGRAM LAYOUT

DRAWN BY:	SIGNATURE AND DATE:
M BOOI	
Pr Tech Eng: 2020600443	
REVIEWED BY:	SIGNATURE AND DATE:
A SKOSANA	
Pr Tech: 2020600443	
APPROVED BY:	SIGNATURE AND DATE:
L CELE	
Pr Eng: 20080347	
PROJECT NO	DATE
1121	

DRAWING NO
NT06-22-1121-402-001

SCALE	SHEET SIZE	REVISION
AS SHOWN	A1	E1