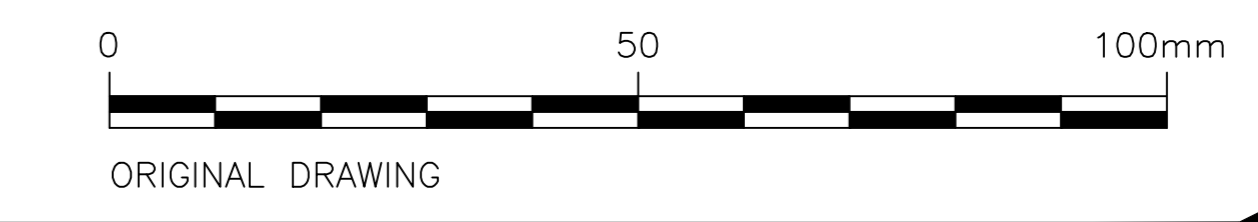
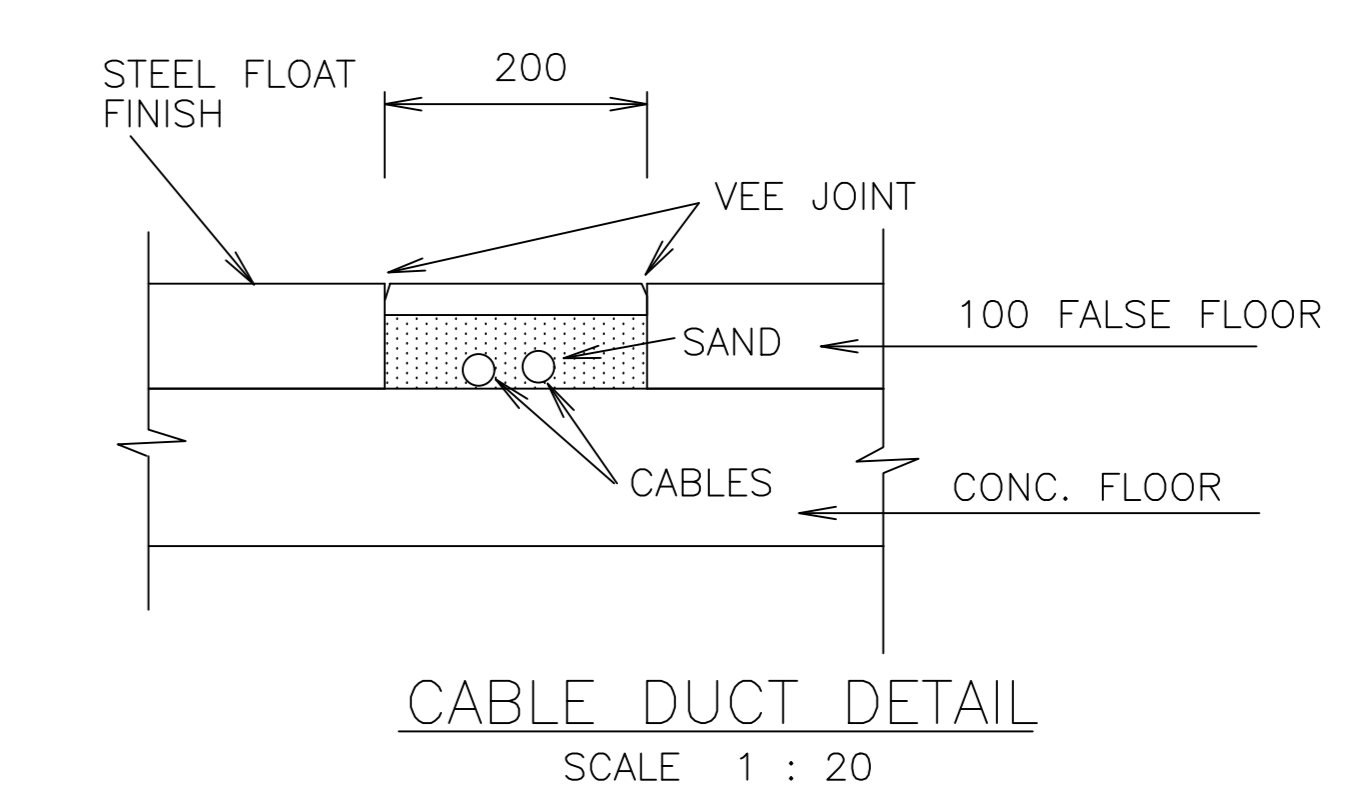
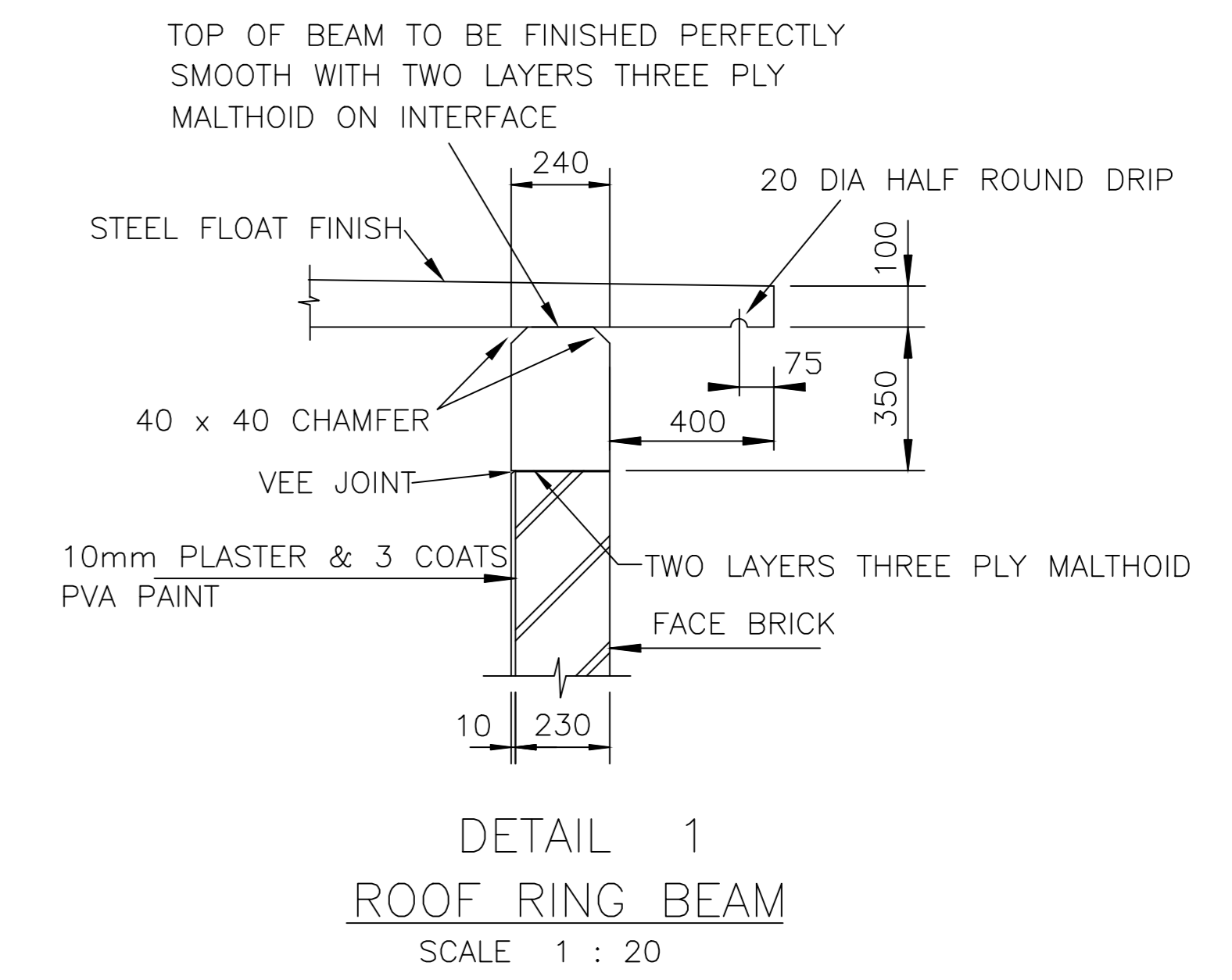
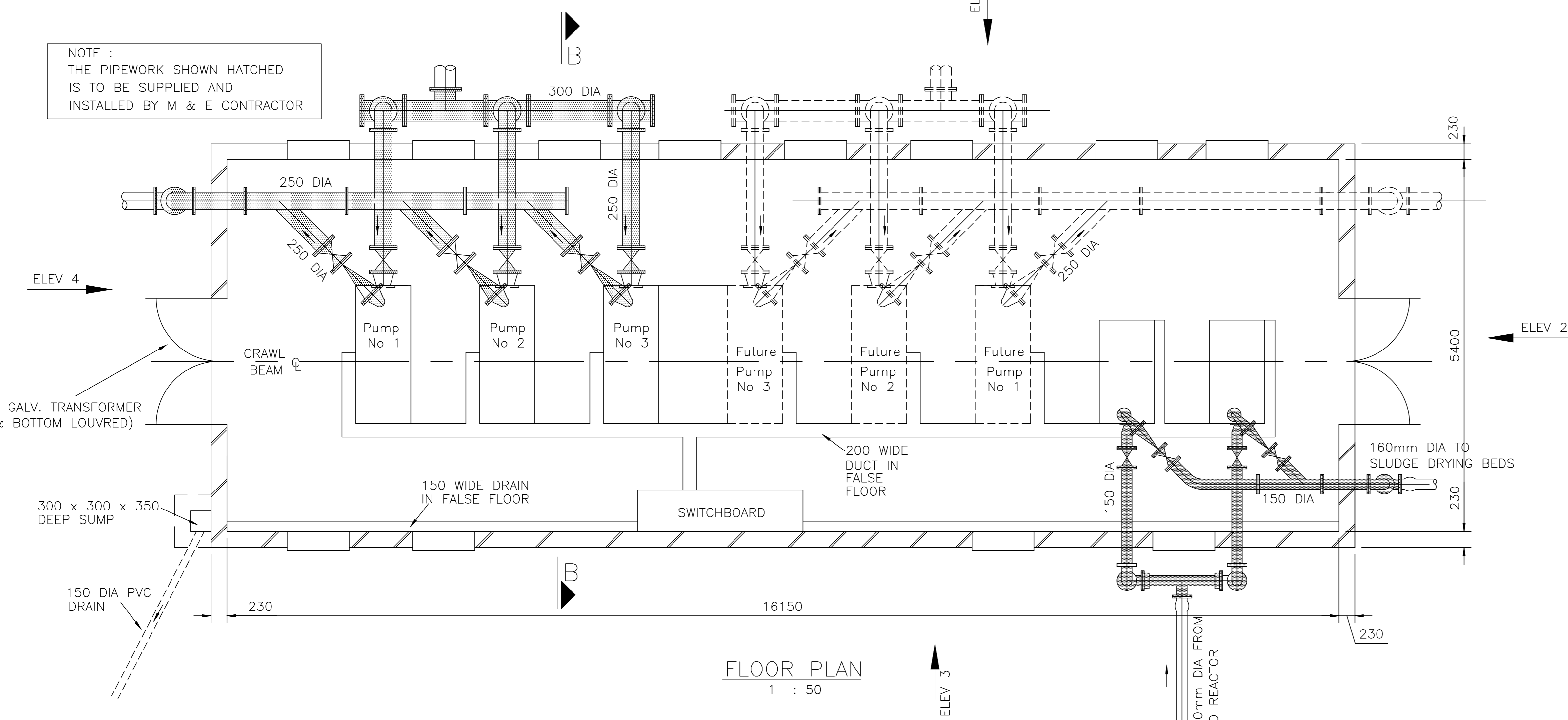
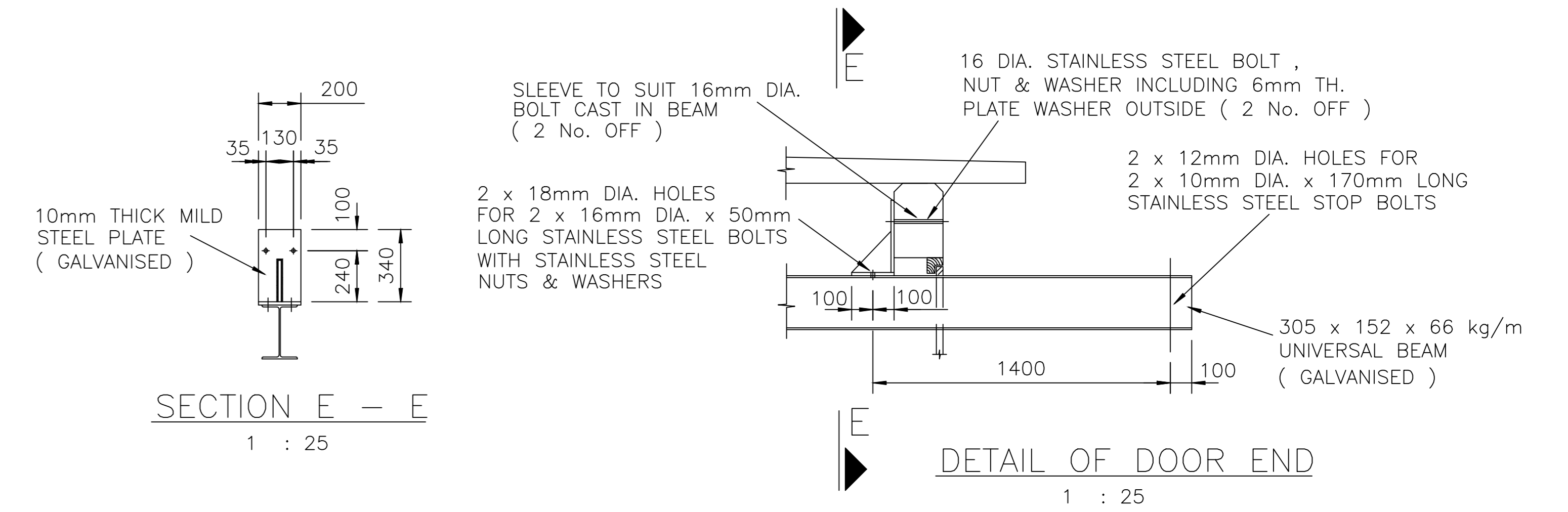
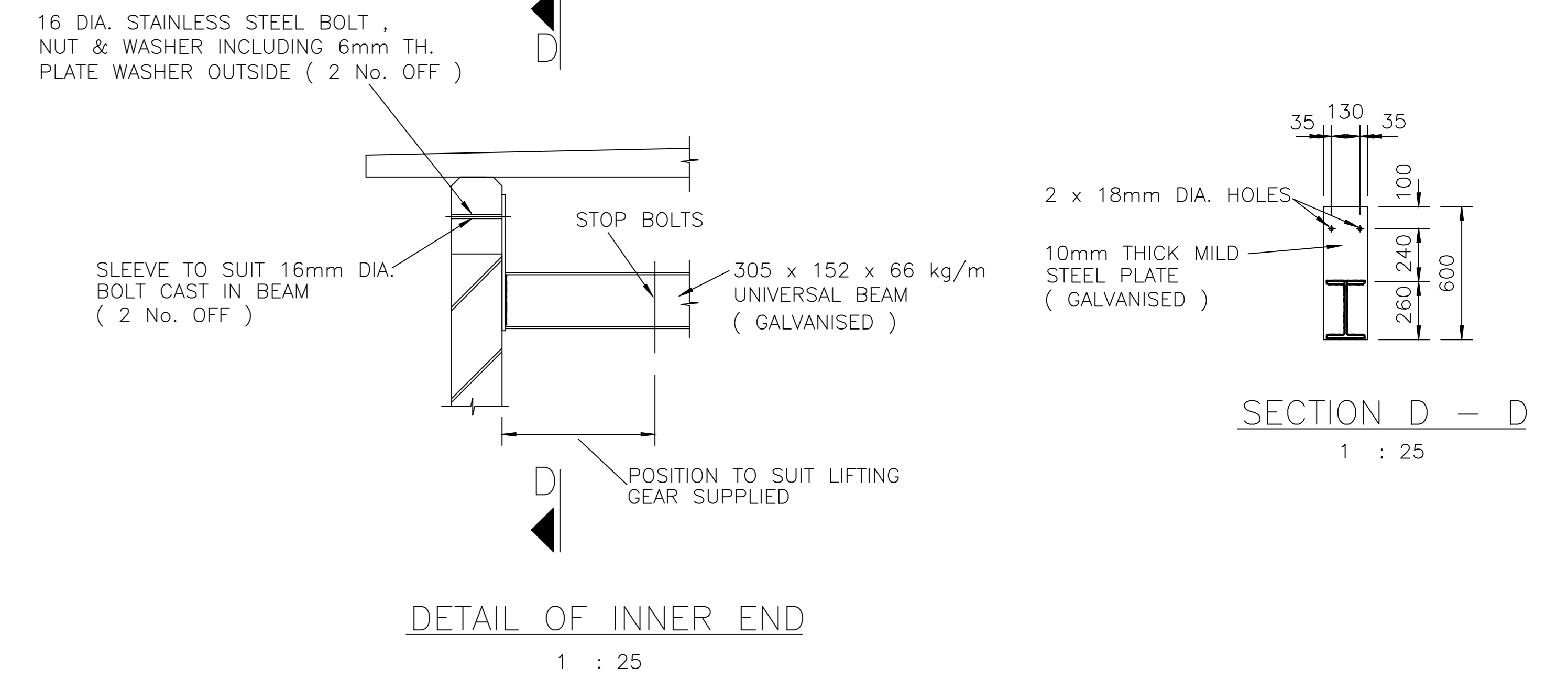
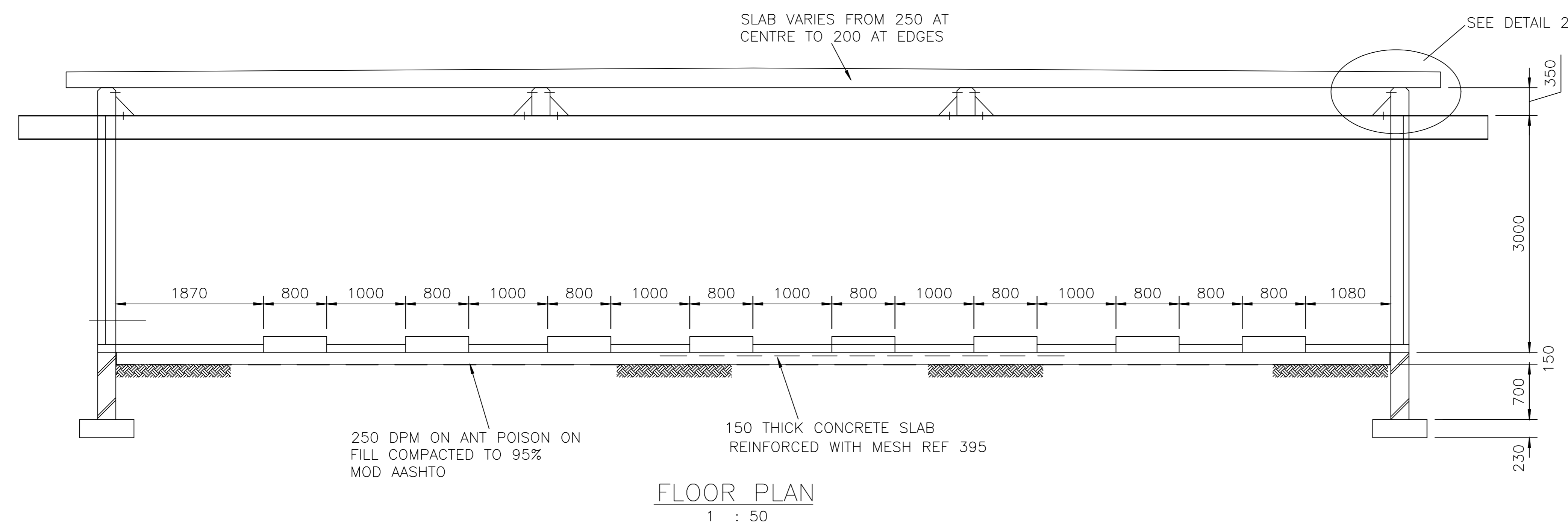


NOTES:

1. ALL EXPOSED SHARP CONCRETE EDGES TO BE CHAMFERED 20 x 20
2. CONCRETE GRADE 25mpa/19mm
3. MIN. 400mm SQUARE OPENINGS TO BE PROVIDED FOR PIPES THROUGH BRICK WALLS AT POSITIONS DETERMINED BY ENGINEER, AND GROUTED UP AFTER INSTALLATION



ORIGINAL SCALE	
AS SHOWN ON A1	
ALT. DWG. No.	CONTRACT No.
SHT. No. OF	PROJECT No. XXXXX
DRAWING No.	REVISION
XXXXX - 08	0

No.	REFERENCE DRAWINGS
-----	--------------------

1	ISSUED FOR TENDER	01/22	CHKD	APPRV
REVISIONS				
ONLY REVISIONS MARKED THUS ARE VALID				

DESIGNED	W.T.
CHECKED	P. MANTUNGWA
DRAWN	W.T.
CHECKED	P. MANTUNGWA
PROJ. ENG.	P. MANTUNGWA

Asande Projects Consulting & Engineering

APPROVED: _____

HDA HOUSING DEVELOPMENT AGENCY

APPROVED: _____

PROJECT/DRAWING TITLE

LEPHALELE MUNICIPALITY

PAARL WASTE WATER TREATMENT WORKS UPGRADE

SLUDGE PUMP STATION