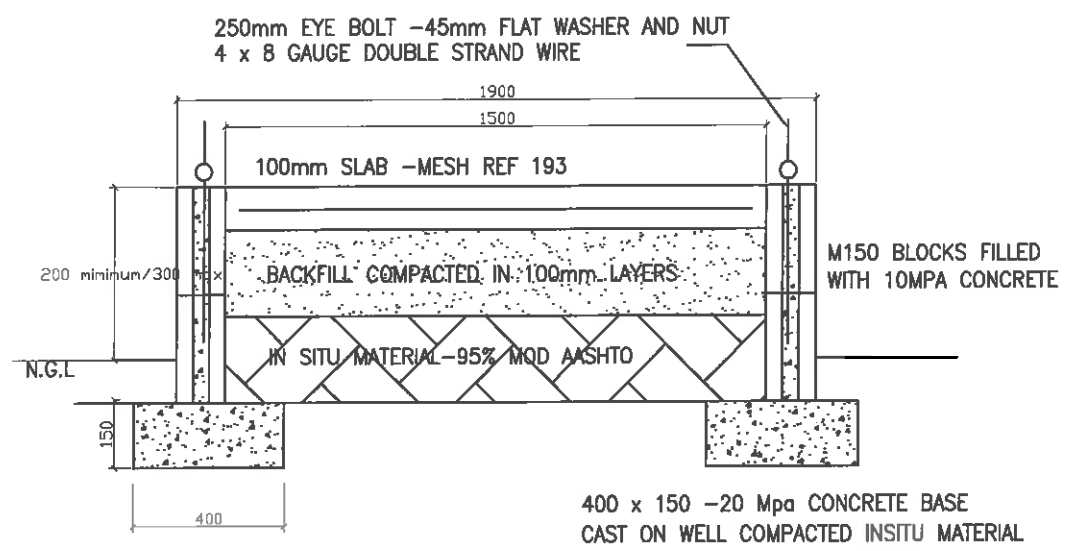


PRICE ONLY OPTION 1

REFER TO ARCHITECTURAL DRAWING FOR POSITION OF TANK

ADJUST HEIGHT TO SUIT LVL OF GUTTER DOWN PIPE ON SITE



WATER TANK HOLDING DOWN DETAILS-OPTION 1

ADJUST HEIGHT TO SUIT LVL OF GUTTER DOWN PIPE ON SITE

PRICE ONLY OPTION 1

PRICE ONLY OPTION 1

Price tank with all fittings and plastic tap at bottom outlet

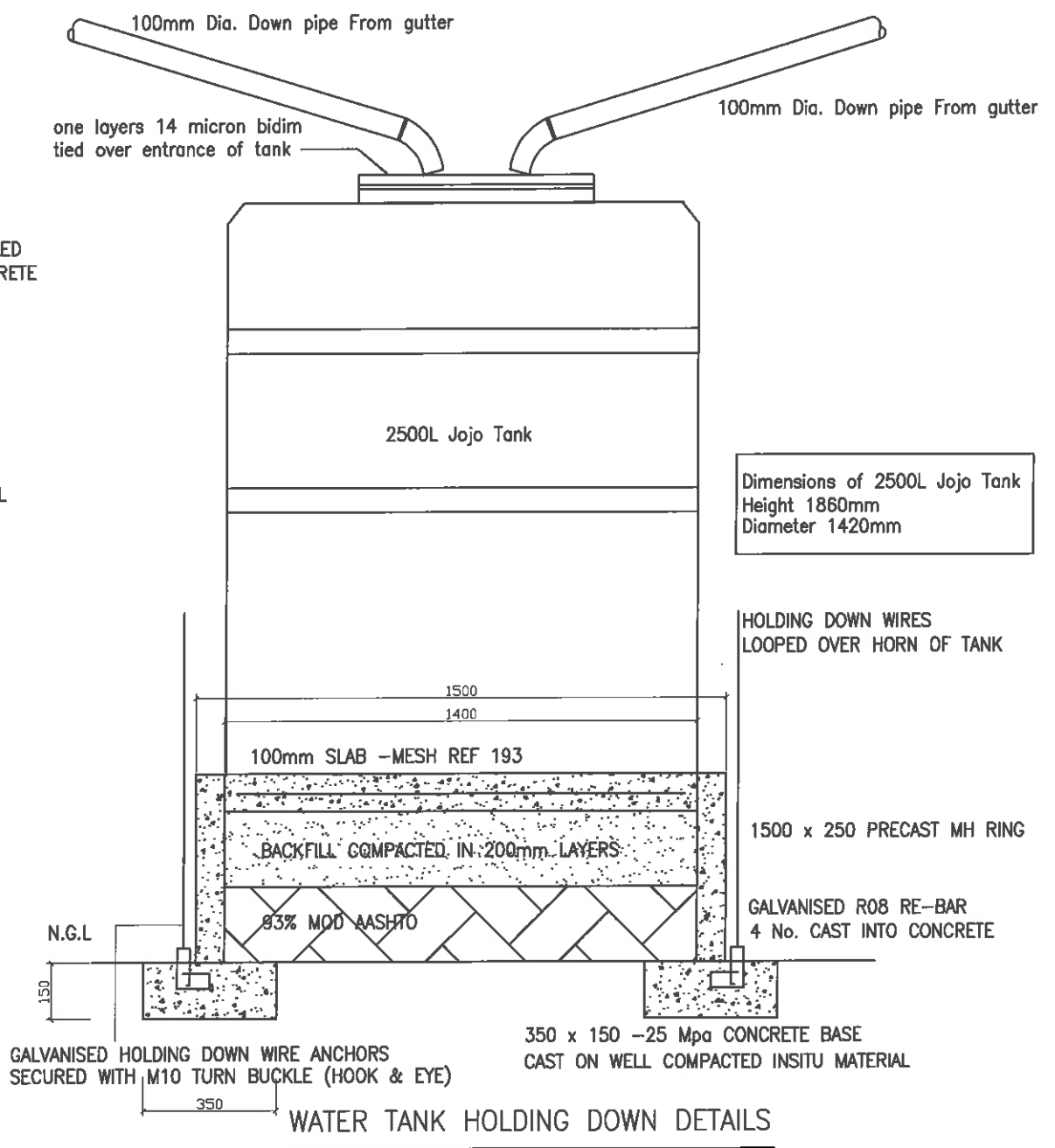
| | | |
|-------------|---|---|
| 2100 | | |
| fit | | |
| Type | D1 | D2 |
| No. off | 2 - entr. # kitchen | 3 - internal |
| Door | standard 813x2032mm solid timber Meranti door | standard 813x2032mm hollow core timber door |
| Frame | mild steel double rebated (to spec.) | mild steel single rebated (to spec.) |
| Ironmongery | Hot dipped Galvanised | Hot dipped Galvanised |

Door schedule per Unit

STORM DAMAGE UNITS
JOJO TANK DETAIL-ELECTRICAL
/CEILING AND GENERAL SPECIFICATIONS
RURAL SPECIFICATION

| | |
|--|---|
| | 1 200mm High Light Switch - Covers to Client specification. |
| | Double Plug Switch - height 300mm above FFL unless indicated on drawing - Covers to Client specification. |
| | New DB Board. |
| | Plain white opal galley and bowl ceiling mounted light fittings. |

ELECTRICAL PER UNIT



WATER TANK HOLDING DOWN DETAILS

Option 2

Dimensions of 2500L Jojo Tank
Height 1860mm
Diameter 1420mm

| | 12 way DB | Single plug points | Light switch | Light Fittings | O/H 10mm Cable Connection point |
|-------------|-----------|--------------------|--------------|----------------|---------------------------------|
| Living Room | | X | X | X | |
| Kitchen | X | X | X | X | |
| Bathroom | | | | | X |
| Passage | | | X | | |
| Bedroom 1 | | X | X | X | |
| Bedroom 2 | | X | X | X | |
| Gable Wall | | | | | X |

ELECTRICAL SCHEDULES FOR UNITS

Notes -SPECIFICATIONS

Roof
Concrete tiles on damp-proofing on 38x38 timber trusses. Mild steel wire to be built-in min. 4 courses into brickwork to tie down trusses. (can use galvanised hoop iron ties)
Ceilings - 6.5mm gypsum ceiling plasterboard on S.A. 38x38mm bracing at max. 750mm centres. 50 mm Sisalation between ceiling bracing
Stormwater (Options)
Ø100 downpipes.
Upvc half round gutters with brackets
Alternatively 75mm thk 1m wide concrete surround slab to be provided.

Foundations - reinforced concrete raft foundation to eng. on compacted backfill with soil poison by specialist. 250 micron DFC under raft foundation

External finish - 10mm plaster and paint.
Internal finish - Bagwash

Windows - 1.2mm Steel frame. Galvanised Glisco type Opaque glass to bath room window. See window schedule

External doors - 813x2032mm BB pine doors fitted to 1.2mm Galvanised steel frame with 3 lever mortice locks.

Internal doors - 762x2032mm Masonite hollowcore, fitted 1.2mm Galvanised steel frame with 2 lever mortice locks.

Precast concrete lintols over all openings.
140mm/90mm hollow block work, 3.5 MPa compressive strength to comply with SANS 10400.
2 courses brickforce above all window cill and door level.
All dimensions to be confirmed on site.

All work to comply with SANS 10400.

Electrical
1 number 12 way ready DB board in kitchen
1 Switch /Light fixture per room
1 plug point in kitchen
1 plug point in sitting room

Drainage :
Upvc Gutters and Downpipes To 2500L JoJo Tank