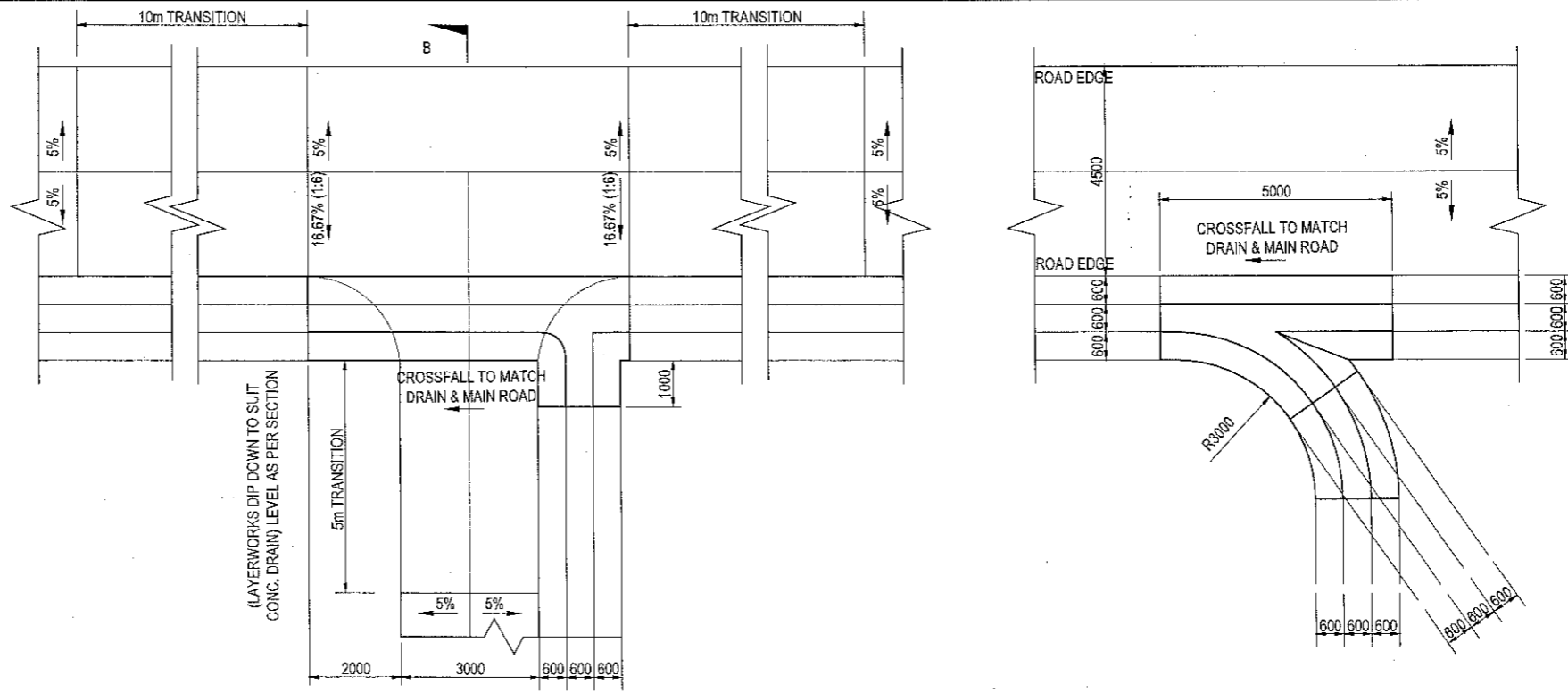
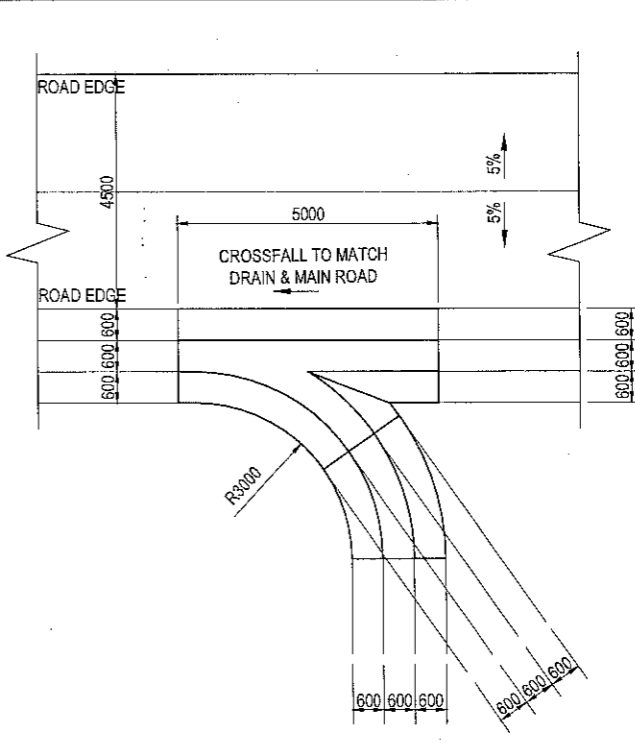


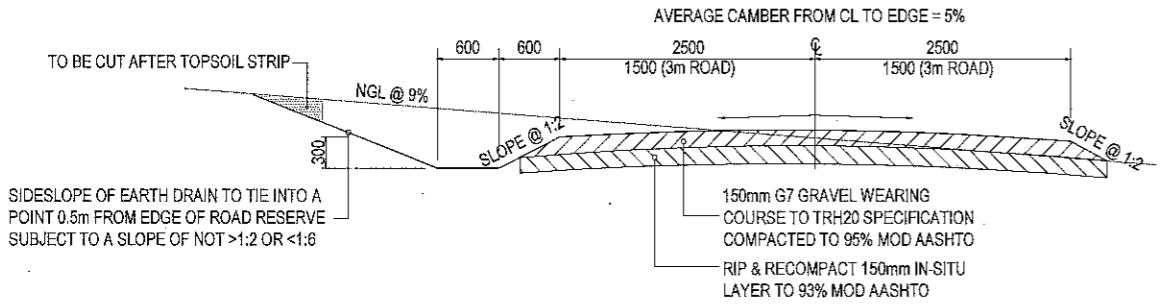
DETAIL A - PLAN OF CONCRETE CROSS OVER DRAIN  
SCALE 1:100



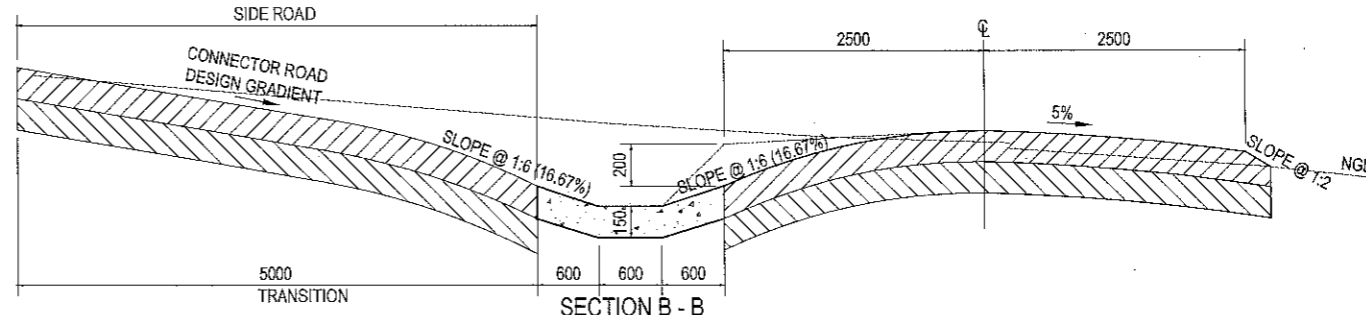
PLAN SHOWING TYPICAL LAYOUT  
OF CONCRETE DISH DRAINS AT INTERSECTIONS  
SCALE 1:100



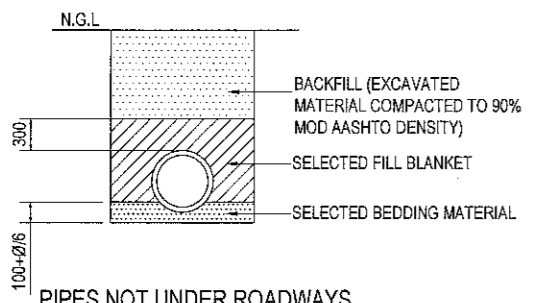
PLAN SHOWING TYPICAL LAYOUT  
OF CONCRETE LINK DRAINS THROUGH  
SW-SERVITUDES OR P.O.S  
SCALE 1:100



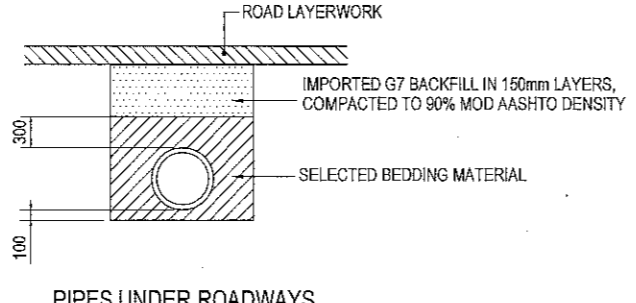
TYPICAL ROAD CROSS SECTION  
FOR 4.5m (6m) WIDE LINK ROADS  
SCALE 1:50



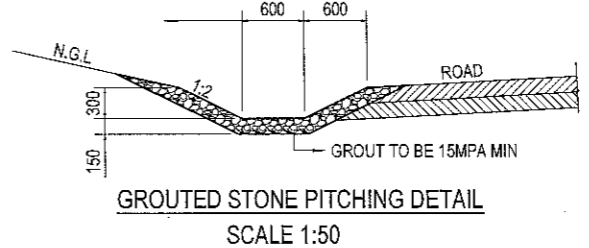
SECTION B - B  
CONCRETE DISH DRAINS AT  
INTERSECTIONS  
HORIZONTAL SCALE 1 : 50  
VERTICAL SCALE 1 : 100



PIPES NOT UNDER ROADWAYS  
STORMWATER BEDDING DETAILS  
1:50



PIPES UNDER ROADWAYS  
STORMWATER BEDDING DETAILS  
1:50



GROUTED STONE PITCHING DETAIL  
SCALE 1:50

ALL DIMENSIONS AND LEVELS ARE TO BE VERIFIED ON SITE BY THE CONTRACTOR BEFORE COMMENCING ANY WORK.  
This document and all the information herein remain the property of ARCADIS GIBB (Pty) Ltd. and may not be copied, reproduced or transmitted in part or in full without the written consent of ARCADIS GIBB (Pty) Ltd. This document should not be used for any other project or purpose other than those for which it was originally prepared and for which ARCADIS GIBB (Pty) Ltd was commissioned. Its use for any other project or purpose without the prior written consent of ARCADIS GIBB (Pty) Ltd. is prohibited.  
ARCADIS GIBB (Pty) Ltd. shall not be liable for the consequences of using this document other than for the purposes for which it was commissioned. Any user and any other person relying on the information in this document for any other purpose, without the written consent of ARCADIS GIBB (Pty) Ltd. is prohibited.  
ON ORIGINAL  
0 5 10 15 20 25 30 35 40 45 50

GENERAL NOTES:

No.	Date	Description	By	Appd.

Client  
human settlements  
REPUBLIC OF SOUTH AFRICA

ARCADIS GIBB  
ENGINEERING & SCIENCE  
5 Platina Street, Sandton, Sandton 2011  
PO BOX 18841, Tlokoeng 2114  
Tel: +27 43 795 3630 Fax: +27 43 721 5141

Approved By: S. SCHROEDER  
Drawn By: JP. MARÉE Designed By: JP. MARÉE Reviewed By: S. SCHROEDER

Project  
ENGCOBO EXTENSION 11 HOUSING DEVELOPMENT PHASE A - INTERNAL SERVICES

Description  
ROAD AND STORMWATER DETAILS

Scale AS SHOWN Date SEP 2010

Project No. J28267 / TD 001 / 0