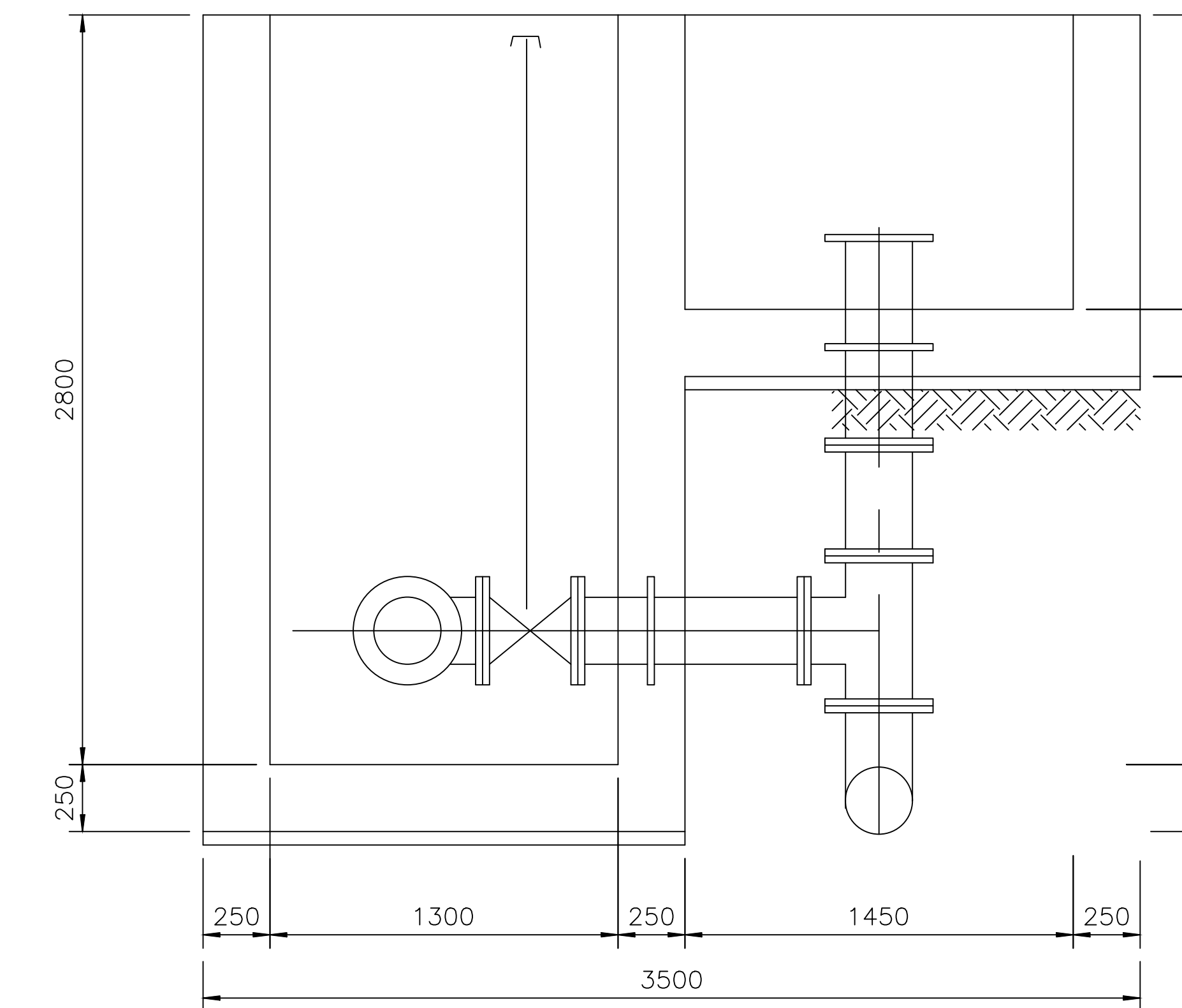
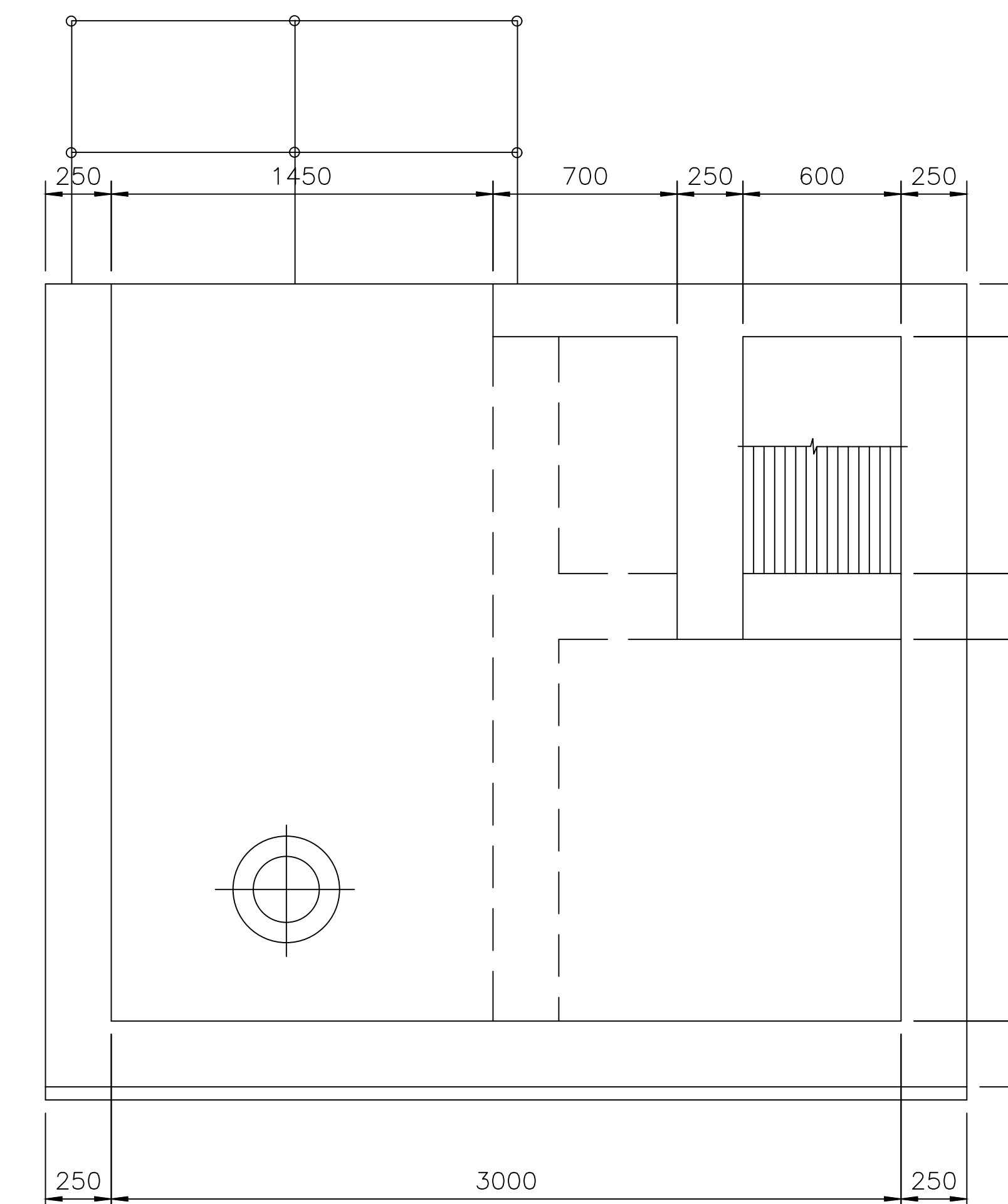


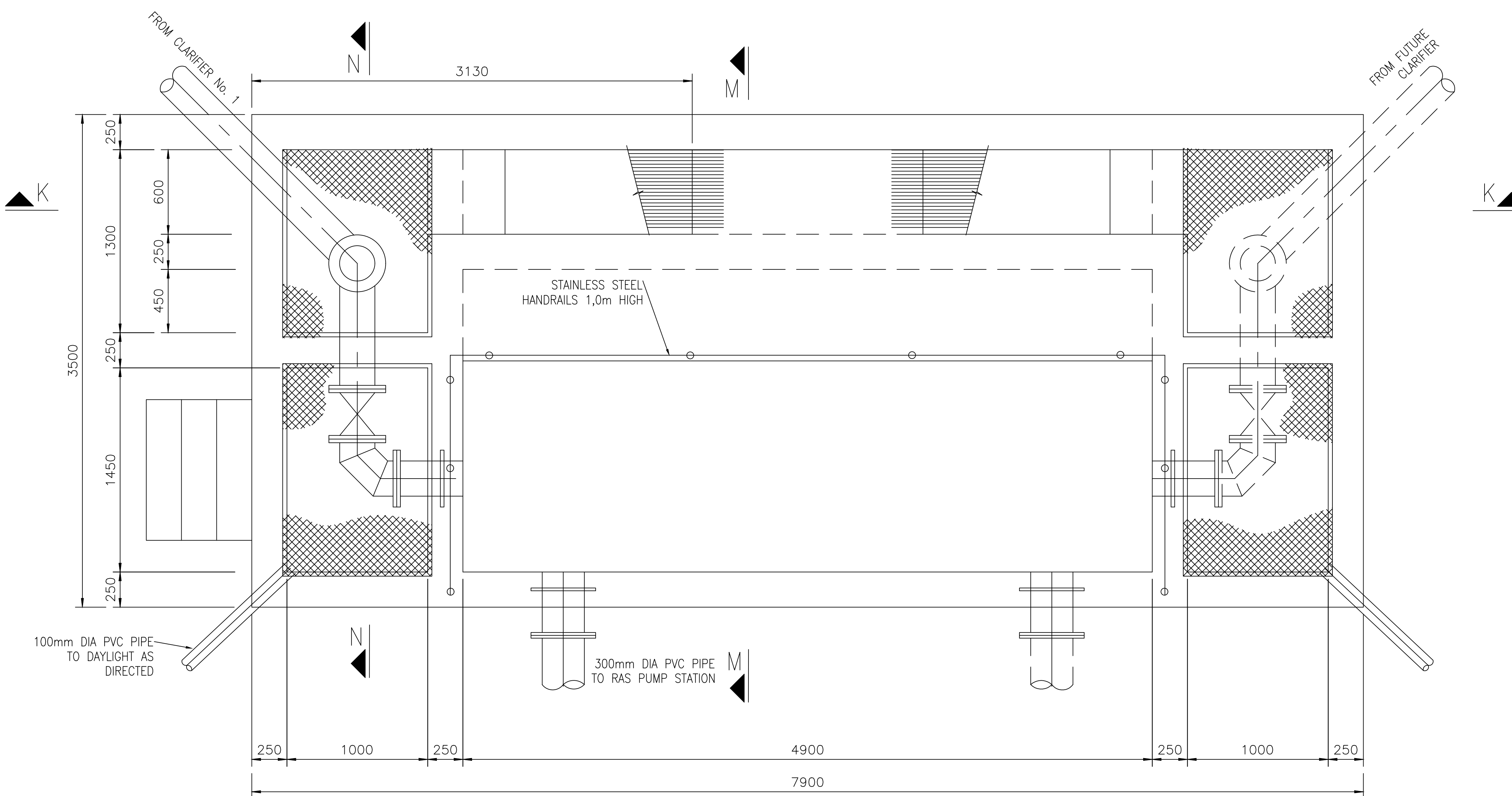
SECTION K-K
SCALE 1:25



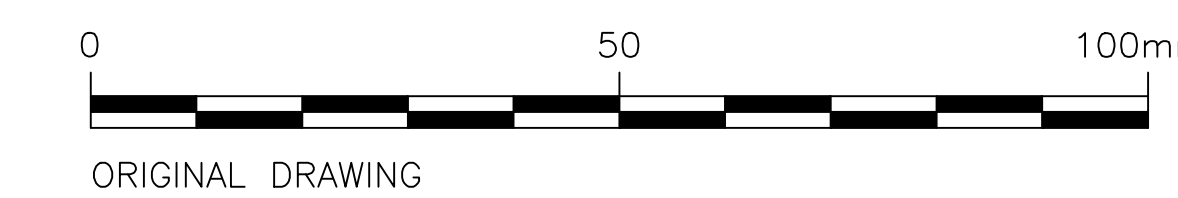
SECTION N-N
SCALE 1:25



SECTION M-M
SCALE 1:25



SLUDGE OUTLET CHAMBER AND PUMPSTATION SUMP
SCALE 1:25



ORIGINAL SCALE
1 : 500

No.	REFERENCE DRAWINGS
-----	--------------------

1	ISSUED FOR TENDER	01/22		
REVISIONS		DATE	CHKD	APPRV
ONLY REVISIONS MARKED THUS Δ ARE VALID				

DESIGNED	W.T.
CHECKED	P. MANTUNGWA
DRAWN	W.T.
CHECKED	P. MANTUNGWA
PROJ. ENG.	P. MANTUNGWA



APPROVED: _____



APPROVED: _____

PROJECT/DRAWING TITLE
LEPHALELE MUNICIPALITY
PAARL WASTE WATER TREATMENT WORKS UPGRADE
DETAILS OF SLUDGE SUMP

ALT. DWG. No.	CONTRACT No.
SHT. No.	OF PROJECT No. XXXXX
DRAWING No. XXXXX - 07	REVISION 0